

# PERMA-TITE WELDED RADIUS COPING

EXISTING SLOPE WITH NAILER VERSION

**IMPORTANT!!!** MUST INDICATE PROPER RADIUS CONDITION BY CIRCLING APPROPRIATE OUTSIDE FACE

PROVIDING A RADIUS  
THE RADIUS MAY BE PROVIDED  
IN ONE OF TWO METHODS:

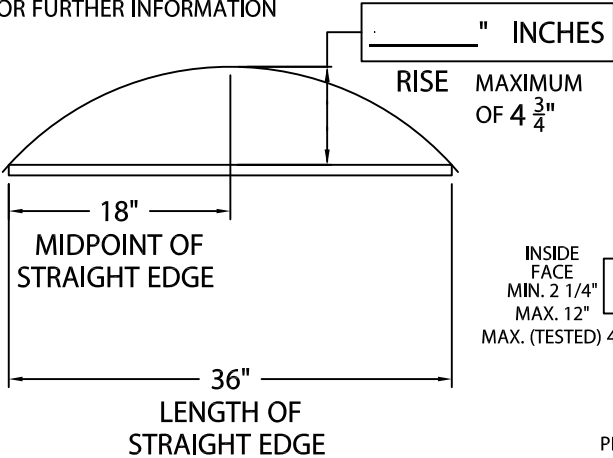
1.) THE ACTUAL KNOWN RADIUS IS

\_\_\_\_\_ ' FEET \_\_\_\_\_ " INCHES

OR

2.) FIELD CONDITION MEASUREMENTS

NOTE: REFER TO ATTACHED WORKSHEET  
FOR FURTHER INFORMATION



NOTE: CHECK MEASUREMENTS ALONG ENTIRE RADIUS.

DETAIL A

MINIMUM  
OF 3'-0"

RISE  
[ ]

SUBSTRATE CONDITION

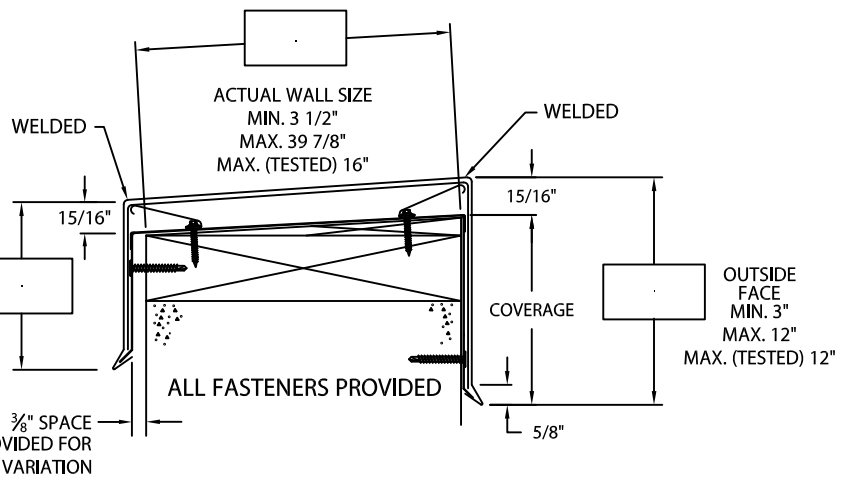
OUTSIDE  
FACE

OUTSIDE  
FACE

RADIUS  
(PROVIDED BY APPROVER  
PER DETAIL A)

TOP  
VIEW

RISE  
[ ]  
MAXIMUM  
OF 4 3/4"



NOTES: -- Concealed splice plates are provided with factory applied dual non-curing sealant strips.

Fabrication will proceed only after receipt of signed print approval.

## Print Approval:

Architect and/or contractor shall verify all dimensions, sizes and quantities. All products to be installed in strict accordance with Metal-Era's printed instructions.

Approved by: \_\_\_\_\_

Date: \_\_\_\_\_

## MATERIAL:

Top - .080" Alum.

Sides - .063" Alum.

Color: \_\_\_\_\_

Finish: \_\_\_\_\_

## QUANTITIES:

\_\_\_\_\_ Lineal Feet 4'-0" Lengths

PROJECT:

ARCHITECT:

ROOFING CONTRACTOR:

REPRESENTATIVE/DISTRIBUTOR:

Corporate Offices, Manufacturing  
1600 Airport Road; Waukesha, WI 53188  
Phone: 800-558-2162  
Fax: 800-373-9156  
www.metalera.com



DATE: 12/13/21

DRN BY: MLM

CKD BY: SAK

SHT.# \_\_\_\_ OF \_\_\_\_

DWG# 11011-37517

A