

ONE EDGE EXTENDED

Built-Up or Modified Version



QUICK SHIPPING IN 15 EXPRESS COLORS EXCLUDING non-90 degree miters & scuppers not listed below

Products (12' Lengths)	.050" Alum. Kynar	.063" Alum. Kynar	Ext. Price
<input type="checkbox"/> ESE-S95(9½")	\$ _____	\$ _____	\$ _____
<input type="checkbox"/> ESE-S110 (11")	\$ _____	\$ _____	\$ _____
<input type="checkbox"/> ESE-S125(12½")	\$ _____	\$ _____	\$ _____
<input type="checkbox"/> Outside Miter(s) Cover Only Qty _____	\$ _____	\$ _____	\$ _____
Degree <u>90</u>			
<input type="checkbox"/> Inside Miter(s) Cover Only Qty _____	\$ _____	\$ _____	\$ _____
Degree <u>90</u>			
<input type="checkbox"/> Extended Warranty 10 Year, 72 mph (4% Upcharge)			\$ _____
Accessories (Please Include Quantities & Full Description)			
_____	\$ _____	\$ _____	\$ _____
_____	\$ _____	\$ _____	\$ _____
Total			\$ _____

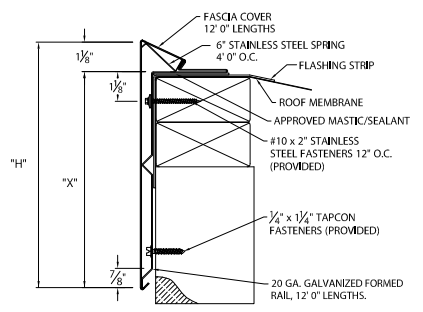
- Colors (Choose One)**
- | | | |
|---------------------------------------|---|--|
| <input type="checkbox"/> Almond | <input type="checkbox"/> Mansard Brown | <input type="checkbox"/> Silver Metallic |
| <input type="checkbox"/> Bone White | <input type="checkbox"/> Roman Bronze | <input type="checkbox"/> Slate Gray |
| <input type="checkbox"/> Cityscape | <input type="checkbox"/> Sandstone | <input type="checkbox"/> Stone White |
| <input type="checkbox"/> Colonial Red | <input type="checkbox"/> Sherwood Green | <input type="checkbox"/> Mill |
| <input type="checkbox"/> Dark Bronze | <input type="checkbox"/> Sierra Tan | <input type="checkbox"/> Clear Anodized |

SHIPPING VARIES WITH NON-STANDARD COLORS PLEASE CALL FOR LEAD TIME

Products (12' Lengths)	.050" Alum. Kynar	.063" Alum. Kynar	Ext. Price
<input type="checkbox"/> ESE-S95(9½")	\$ _____	\$ _____	\$ _____
<input type="checkbox"/> ESE-S110 (11")	\$ _____	\$ _____	\$ _____
<input type="checkbox"/> ESE-S125 (12½")	\$ _____	\$ _____	\$ _____
<input type="checkbox"/> Outside Miter(s) Cover Only Qty _____	\$ _____	\$ _____	\$ _____
Degree <u>90</u>			
<input type="checkbox"/> Inside Miter(s) Cover Only Qty _____	\$ _____	\$ _____	\$ _____
Degree <u>90</u>			
<input type="checkbox"/> Extended Warranty 10 Year, 72 mph (4% Upcharge)			\$ _____
Accessories (Please Include Quantities & Full Description)			
_____	\$ _____	\$ _____	\$ _____
_____	\$ _____	\$ _____	\$ _____
Total			\$ _____

- Colors (Choose One)**
- | | | |
|--|--|--|
| <input type="checkbox"/> Brandywine | <input type="checkbox"/> Hemlock Green | <input type="checkbox"/> Sky Blue |
| <input type="checkbox"/> Charcoal Gray | <input type="checkbox"/> Matte Black | <input type="checkbox"/> Teal |
| <input type="checkbox"/> Dark Ivy | <input type="checkbox"/> Patina Green | <input type="checkbox"/> Terra Cotta |
| <input type="checkbox"/> Ex. Dark Bronze | <input type="checkbox"/> Regal Blue | <input type="checkbox"/> Tropical Patina |
| <input type="checkbox"/> Hartford Green | <input type="checkbox"/> Regal Red | <input type="checkbox"/> _____ |

- Premiums**
- Classic Copper
 - Champagne Metallic



Notes/Special Instructions:

Approval Signature

Date

Date: _____ PO #: _____
 Company: _____ Ship To: _____
 Address: _____ Job Name: _____
 City/State/Zip: _____ Shipping Address: _____
 Phone: _____ City/State/Zip: _____
 Fax: _____ CTC/Contact: _____

NOTE: Pricing subject to change.