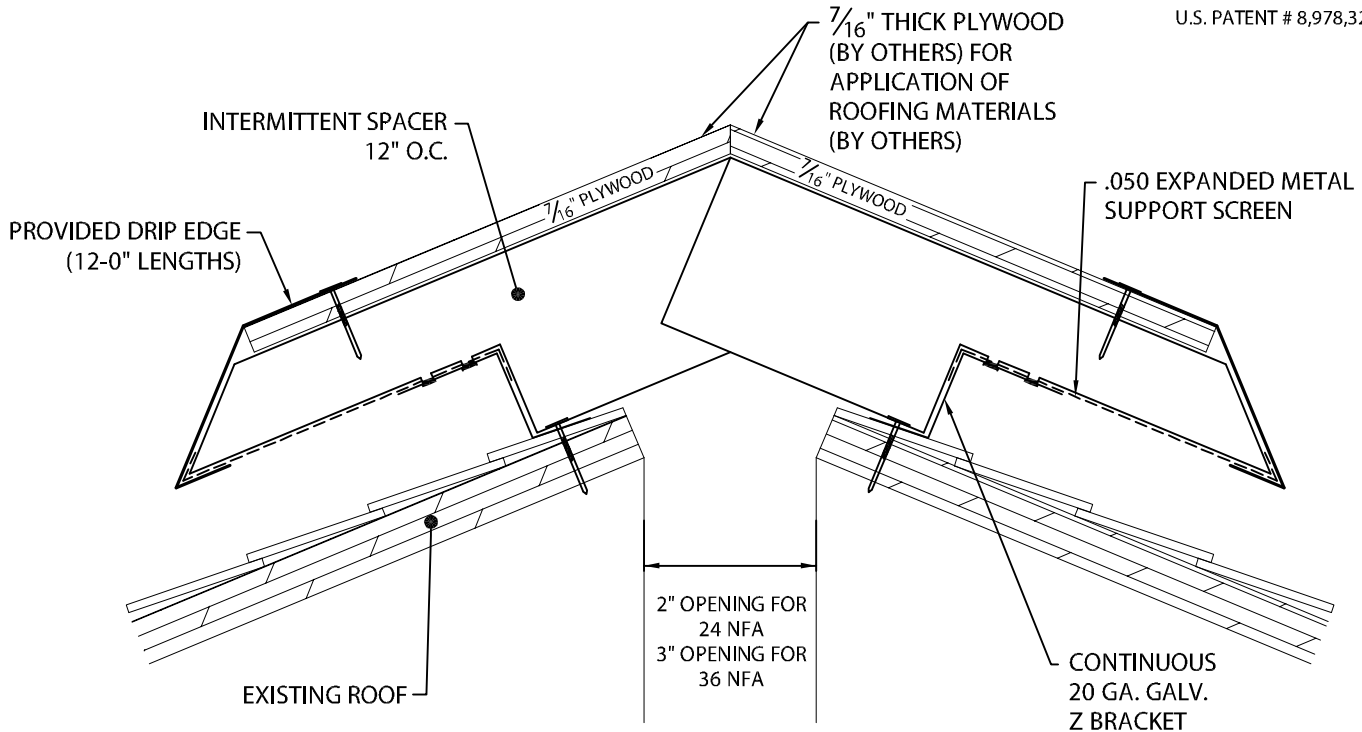


# ECO-PERF RIDGE VENT

SLOPE TO SLOPE, SHINGLED, FIELD ROOFED VERSION

## INSTALLATION INSTRUCTIONS

U.S. PATENT # 8,978,323 B1

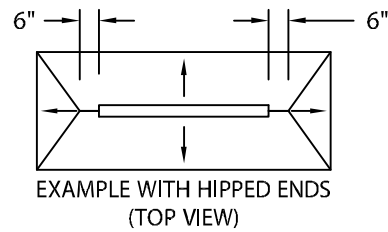
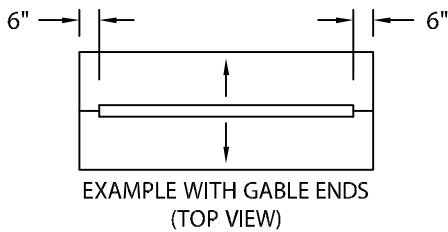


ALL FASTENERS AND SEALANT BY OTHERS

**CAUTION! INSTALLERS SHALL WEAR PROTECTIVE EYE WEAR TO PREVENT INJURY. DO NOT OVERDRIVE FASTENERS, AS STRIPPING CAN OCCUR AT HIGH DRIVER TORQUE. RECOMMENDED DRIVING TOOL: 600 - 800 rpm ELECTRIC DRILL EQUIPPED WITH DEPTH-SENSING NOSE-PIECE TO PREVENT DRIVING AND STRIPOUT. DO NOT USE IMPACT TYPE TOOL.**

**IMPORTANT! BE SURE TO REMOVE PROTECTIVE PLASTIC FILM PRIOR TO INSTALLING EACH COVER SECTION.**

NOTE: ALL FASTENERS MUST MEET MINIMUM 240 LB. PULL-OUT FOR SUBSTRATE.



### 1. PREPARE RIDGE

CUT OPENING AT RIDGE "X" DIMENSION. END THE OPENING 6" BEFORE GABLE OR HIPPED END.



Phone: 800-558-2162  
Fax: 800-770-3934  
www.metalera.com

DATE: 03/31/15

SHT.# 1 OF 5

DRN BY: JJC

CKD BY: SAK

DWG# 31124-19101

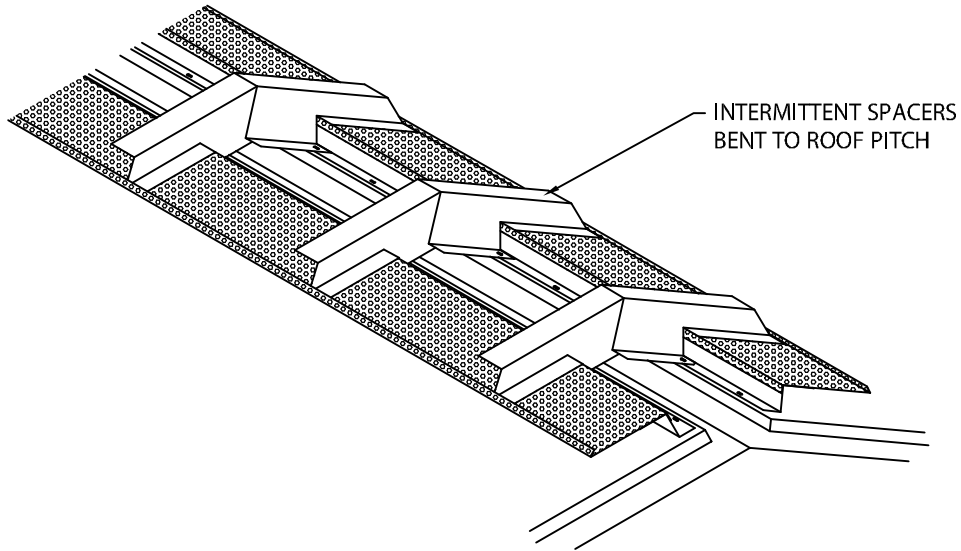
**B**

# ECO-PERF RIDGE VENT

SLOPE TO SLOPE, SHINGLED, FIELD ROOFED VERSION

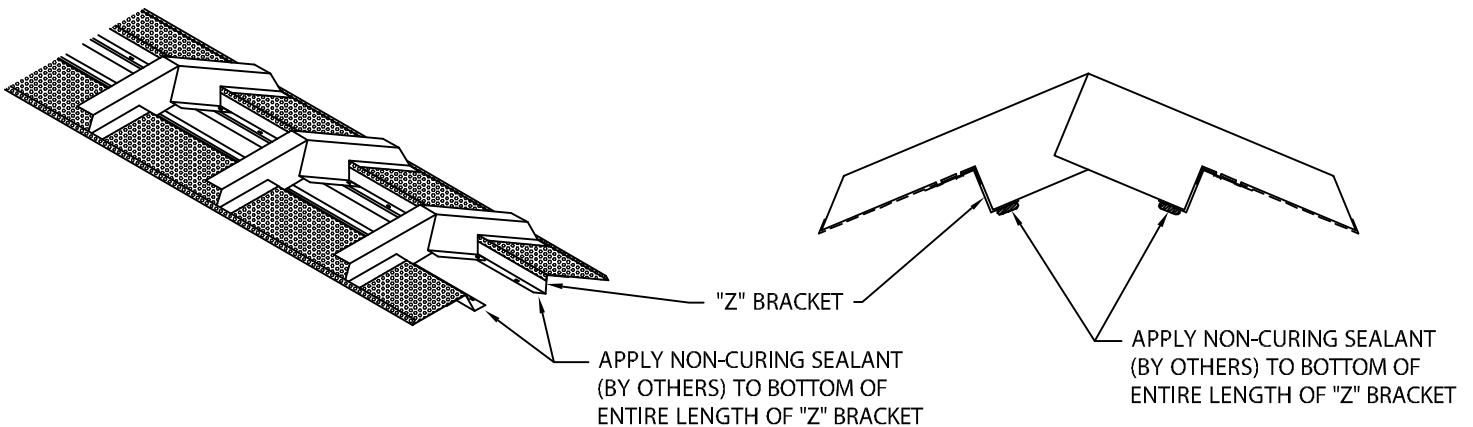
## INSTALLATION INSTRUCTIONS

U.S. PATENT # 8,978,323 B1



### 2. RIDGE VENT

THE RIDGE VENT IS MANUFACTURED TO BEND TO ACCOMMODATE 3/12 TO 12/12 ROOF PITCHES. SIMPLY SET RIDGE VENT ON ROOF AND BEND SPACERS TO THE CORRECT PITCH.



### 3. "Z" BRACKETS

TO PREVENT MOISTURE ENTRY UNDER THE "Z", APPLY A GENEROUS BEAD OF NON-CURING SEALANT (BY OTHERS) ALONG ENTIRE LENGTH OF BOTTOM OF FLANGE.



Phone: 800-558-2162  
Fax: 800-770-3934  
www.metalera.com

DATE: 03/31/15

SHT.# 2 OF 5

DRN BY: JJC

CKD BY: SAK

DWG# 31124-19101

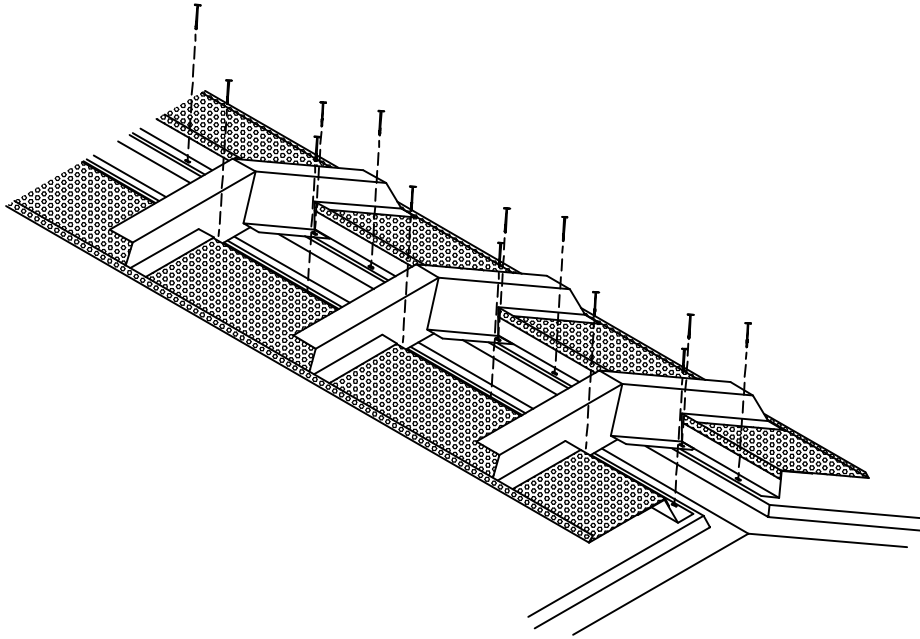
**B**

# ECO-PERF RIDGE VENT

SLOPE TO SLOPE, SHINGLED, FIELD ROOFED VERSION

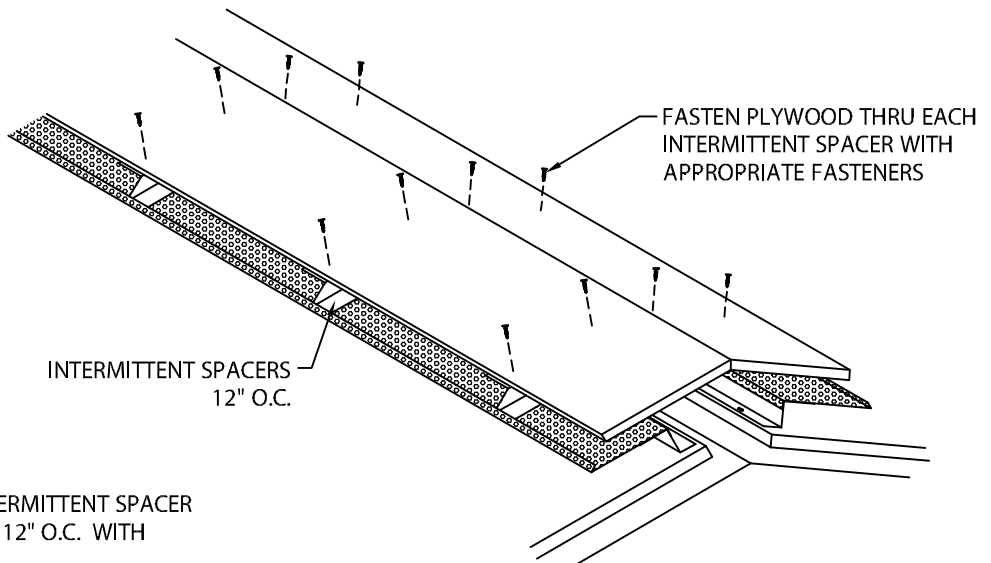
## INSTALLATION INSTRUCTIONS

U.S. PATENT # 8,978,323 B1



### 4. RIDGE VENT

SET RIDGE VENT IN PLACE CENTERED OVER RIDGE OPENING. FASTEN BRACKETS AT ROOF AT 6" O.C. WITH APPROPRIATE FASTENERS USING PRE-PUNCHED SLOTTED HOLES. LAP "Z'S" 1".



### 5. PLYWOOD

PLACE PLYWOOD ON TOP OF INTERMITTENT SPACER AND FASTEN TO SPACER FLANGE 12" O.C. WITH APPROPRIATE FASTENERS.



Phone: 800-558-2162  
Fax: 800-770-3934  
www.metalera.com

DATE: 03/31/15

SHT.# 3 OF 5

DRN BY: JJC

CKD BY: SAK

DWG# 31124-19101

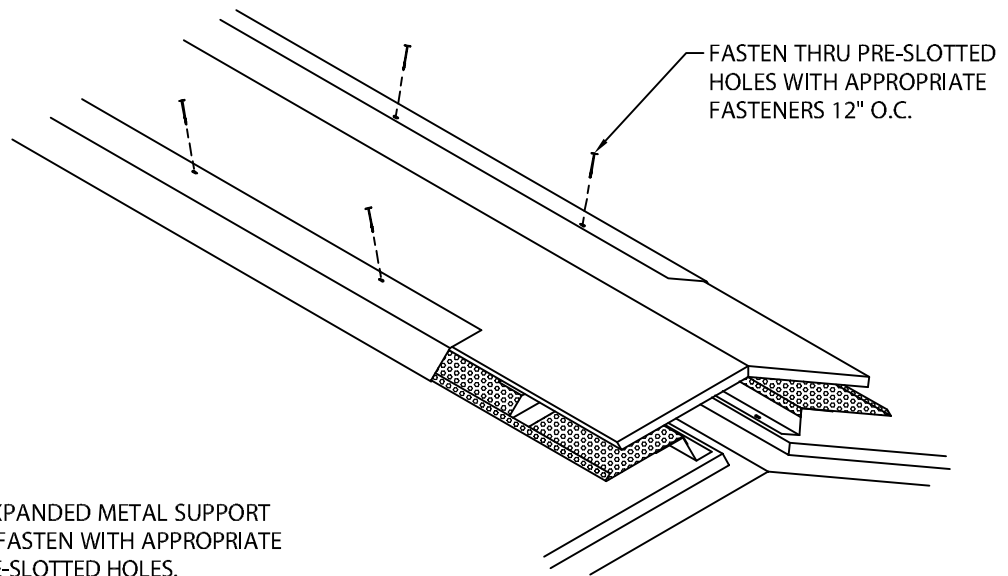
B

# ECO-PERF RIDGE VENT

SLOPE TO SLOPE, SHINGLED, FIELD ROOFED VERSION

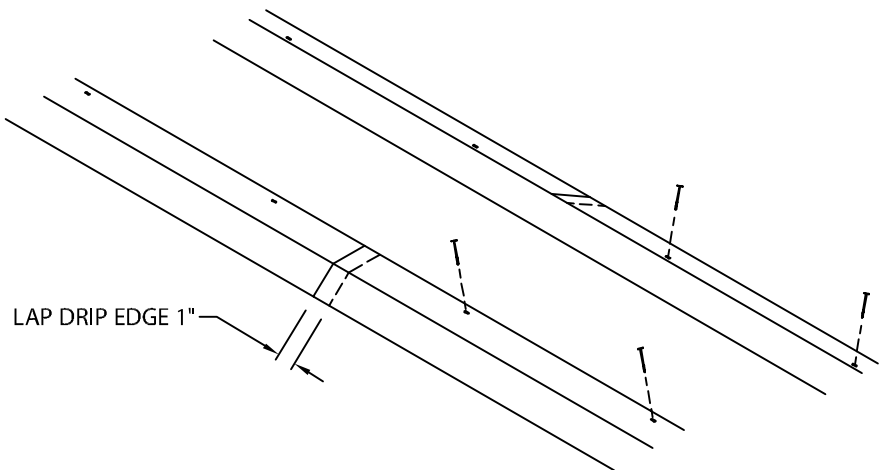
## INSTALLATION INSTRUCTIONS

U.S. PATENT # 8,978,323 B1



### 6. DRIP EDGE

SLIDE DRIP EDGE OVER EXPANDED METAL SUPPORT SCREEN AND PLYWOOD. FASTEN WITH APPROPRIATE FASTENERS 12" THRU PRE-SLOTTED HOLES.



### 7. DRIP EDGE

CONTINUE INSTALLING DRIP EDGE, LAPPING 1" AT JOINTS.  
NOTE: REMOVE PROTECTIVE FILM IMMEDIATELY.



Phone: 800-558-2162  
Fax: 800-770-3934  
www.metalera.com

DATE: 03/31/15

SHT.# 4 OF 5

DRN BY: JJC

CKD BY: SAK

DWG# 31124-19101

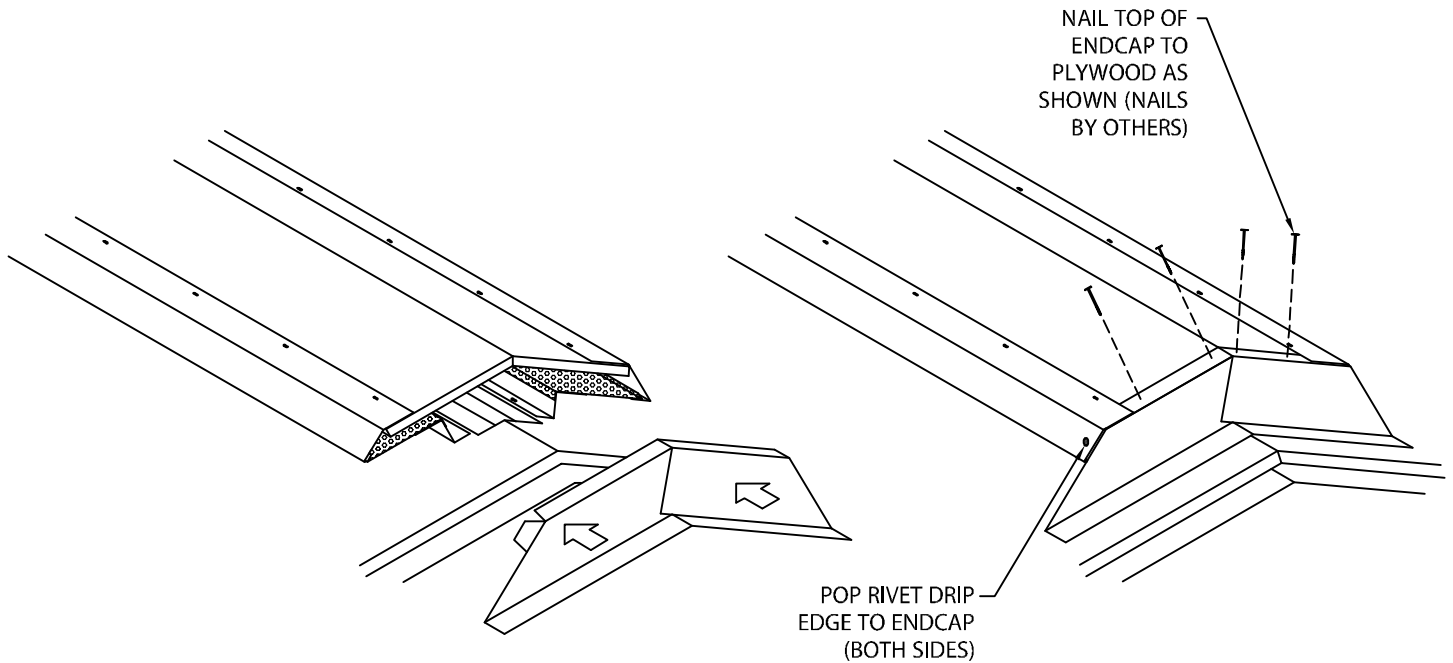
B

# ECO-PERF RIDGE VENT

SLOPE TO SLOPE, SHINGLED, FIELD ROOFED VERSION

## INSTALLATION INSTRUCTIONS

U.S. PATENT # 8,978,323 B1



### 8. ENDCAPS

SLIDE ENDCAP BETWEEN PLYWOOD AND DRIP EDGE. REMOVE PROTECTIVE FILM IMMEDIATELY. POP RIVET BOTH SIDES OF DRIP EDGE TO ENDCAP. NAIL TOP FLANGE OF ENDCAP TO PLYWOOD AS SHOWN (ALL FASTENERS BY OTHERS). FOLLOW GENERAL RECOMMENDATIONS OF ROOF MEMBRANE MANUFACTURERS APPLICATION FOR STRIPPING IN THE ENDCAP ROOF FLANGE.



Phone: 800-558-2162  
Fax: 800-770-3934  
www.metalera.com

DATE: 03/31/15

SHT.# 5 OF 5

DRN BY: JJC

CKD BY: SAK

DWG# 31124-19101

**B**