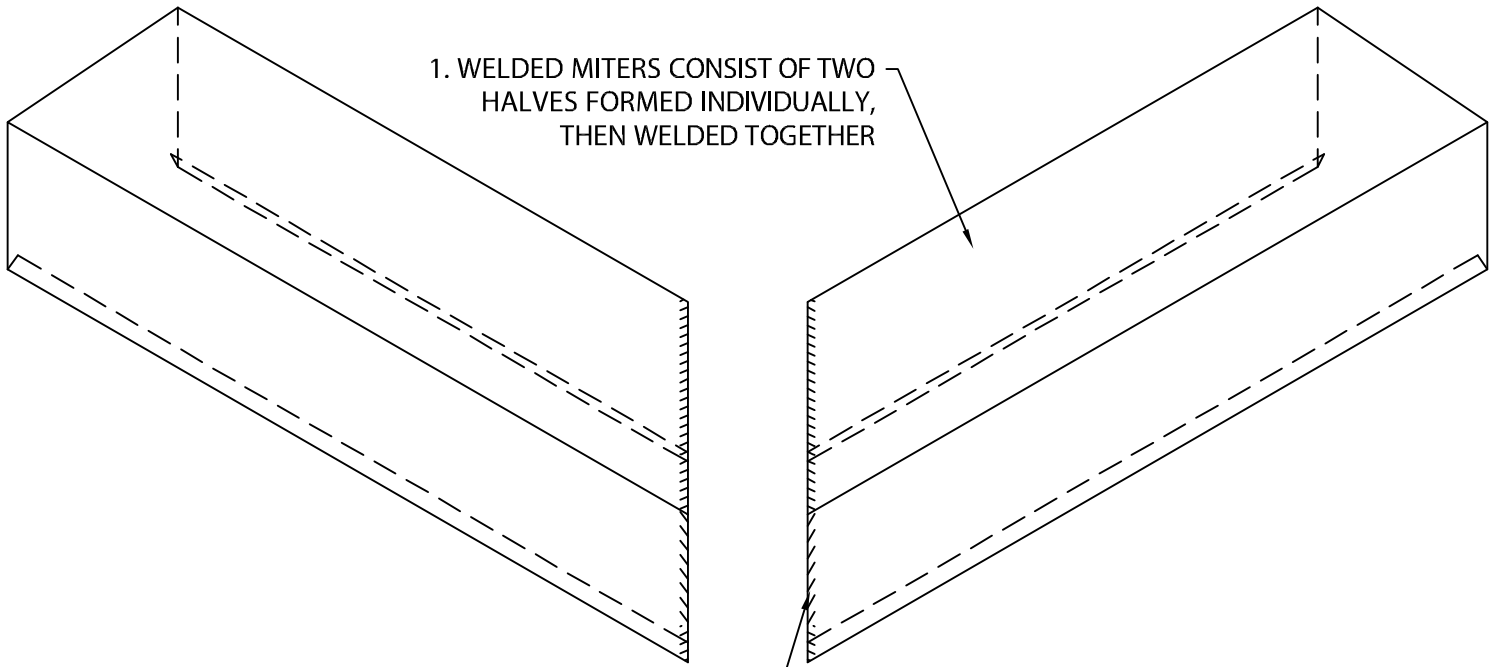


PERMA-TITE GOLD COPING MITERS

WELDED PRE-FINISHED MITER ASSEMBLY



2. PAINT IS GROUND OFF EDGES TO BE WELDED

This diagram shows the two miter halves from the previous step. The edges that will be joined by welding are now shown with a beveled, ground-off surface, indicating that the paint has been removed from these areas.

