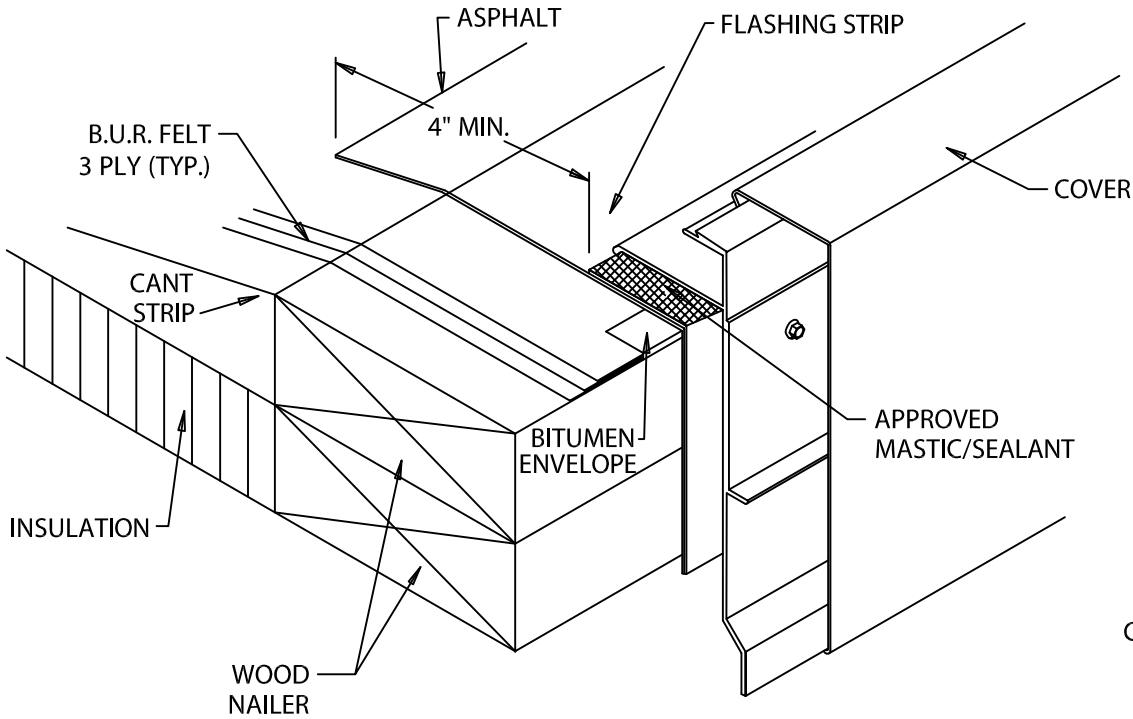


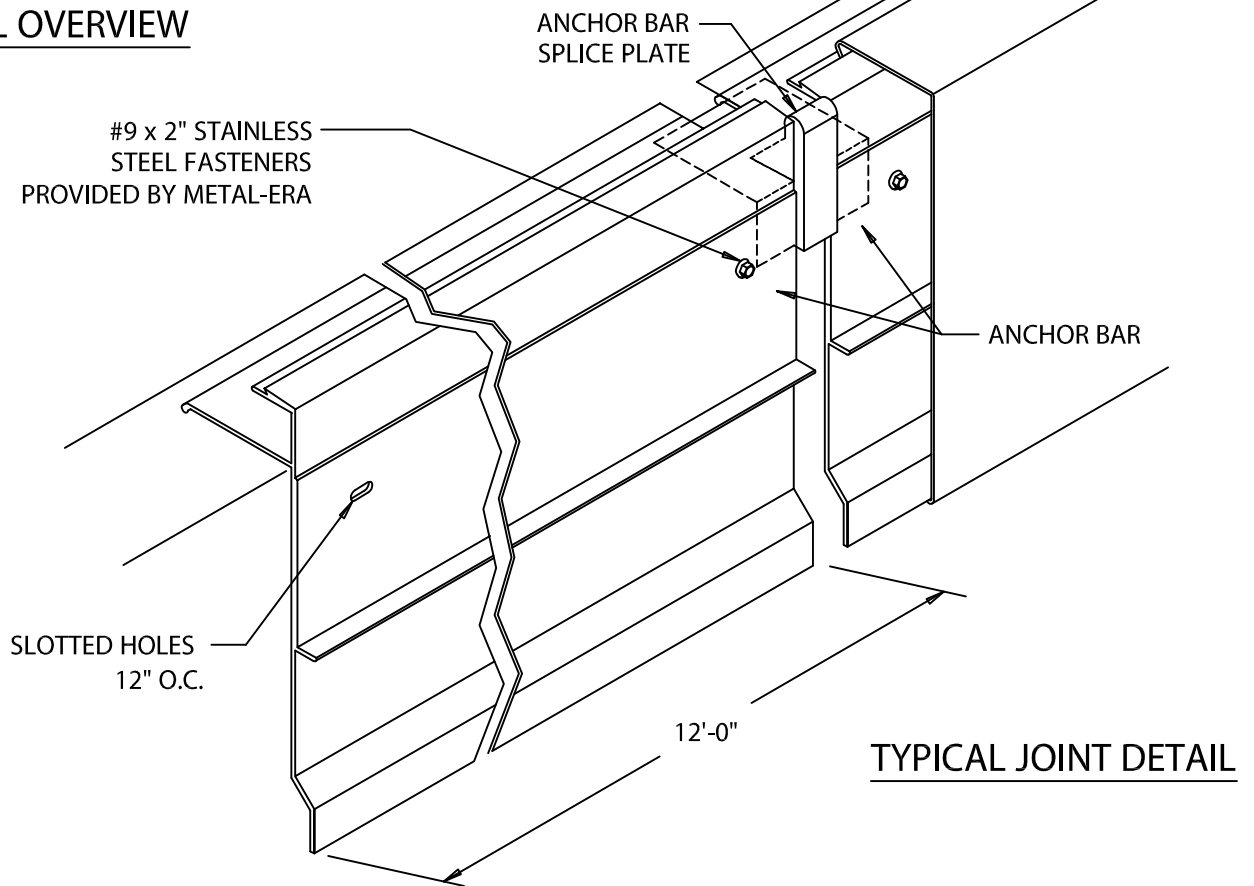
ANCHOR-TITE HG FASCIA

BUILT-UP VERSION

DETAILS



TYPICAL OVERVIEW



TYPICAL JOINT DETAIL



Phone: 800-558-2162
Fax: 800-373-9156
www.metalera.com

DATE: 01/04/08
DRN BY: JJC
CKD BY: SAK

SHT.# ___ OF ___

DWG# 11510-5491

B