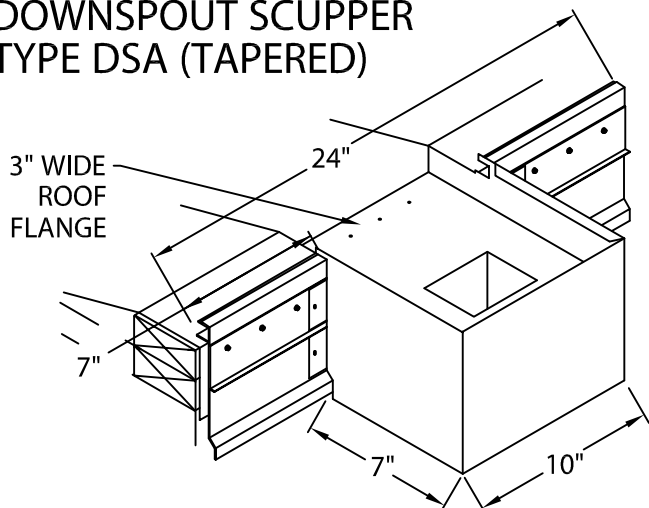


# ANCHOR-TITE HG FASCIA SCUPPERS

BUILT-UP OR MODIFIED VERSION

SCUPPERS - FACTORY WELDED CONSTRUCTION

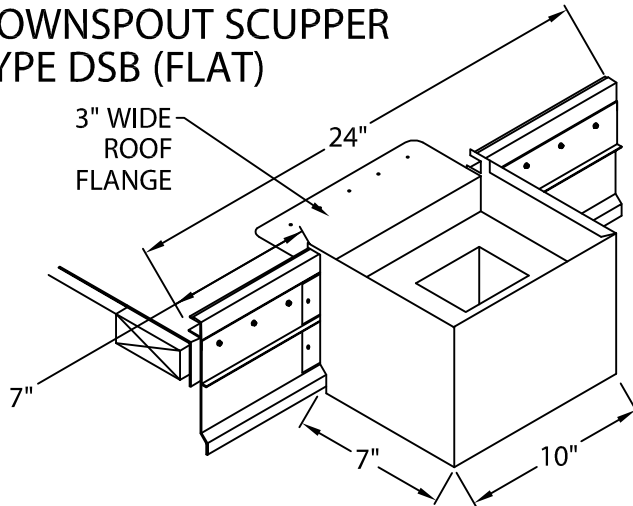
## DOWNSPOUT SCUPPER TYPE DSA (TAPERED)



FOR USE WITH TAPERED EDGE STRIP.  
FLANGE LOWERED 1-1/2\".

**NOTE :** SPECIFY TUBE SIZE

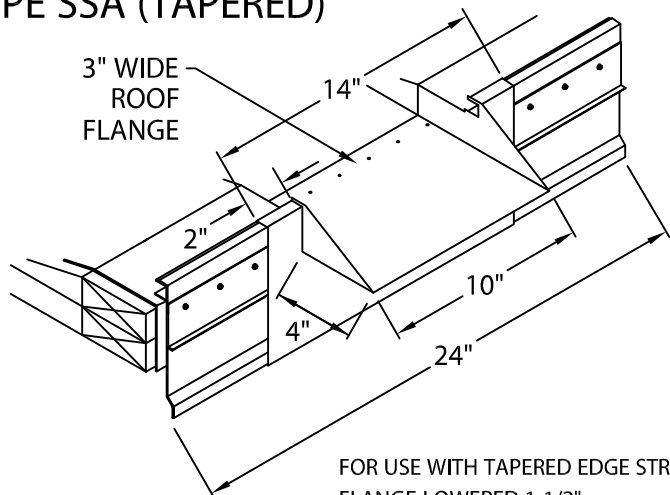
## DOWNSPOUT SCUPPER TYPE DSB (FLAT)



FOR USE WITHOUT TAPERED EDGE STRIP.  
FLANGE FLUSH MOUNTED WITH ROOF.

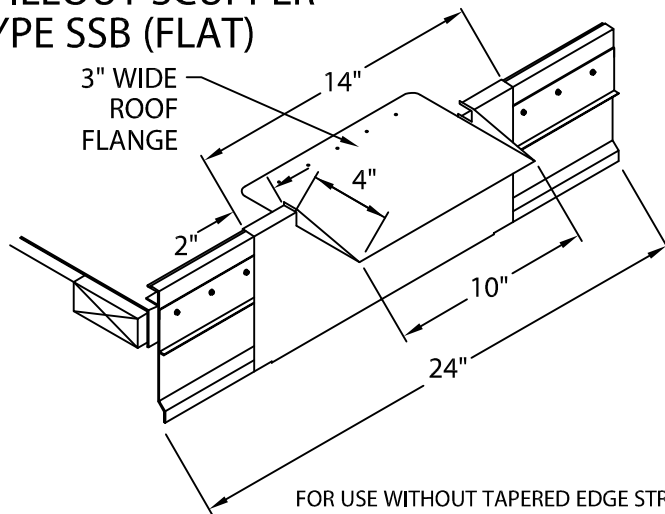
**NOTE :** SPECIFY TUBE SIZE

## SPILOUT SCUPPER TYPE SSA (TAPERED)



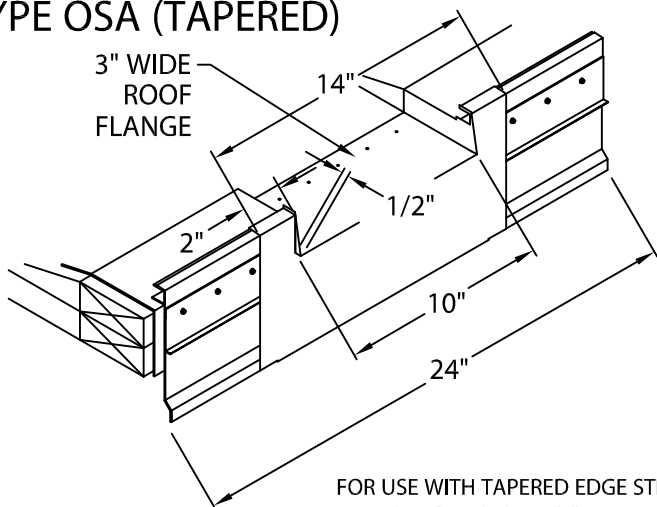
FOR USE WITH TAPERED EDGE STRIP.  
FLANGE LOWERED 1-1/2\".

## SPILOUT SCUPPER TYPE SSB (FLAT)



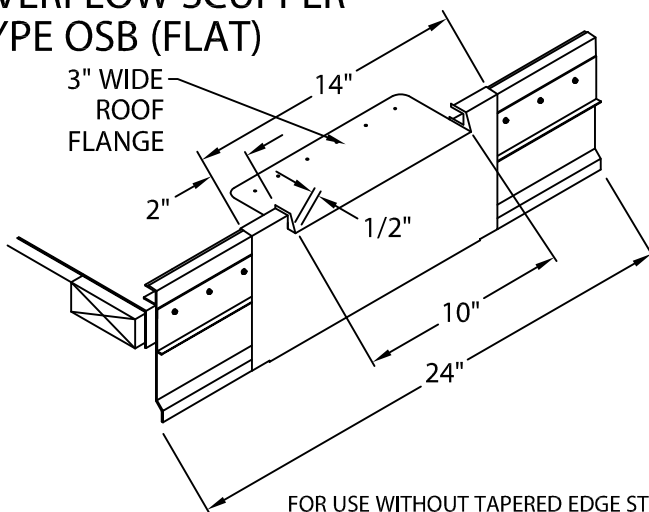
FOR USE WITHOUT TAPERED EDGE STRIP.  
FLANGE FLUSH MOUNTED WITH ROOF.

## OVERFLOW SCUPPER TYPE OSA (TAPERED)



FOR USE WITH TAPERED EDGE STRIP.  
FLANGE LOWERED 1-1/2\".

## OVERFLOW SCUPPER TYPE OSB (FLAT)



FOR USE WITHOUT TAPERED EDGE STRIP.  
FLANGE FLUSH MOUNTED WITH ROOF.



Phone: 800-558-2162

Fax: 800-373-9156

www.metalera.com

DATE: 01/11/10

DRN BY: JJC

CKD BY: SAK

SHT.# \_\_\_ OF \_\_\_

DWG# 11510-5487

B