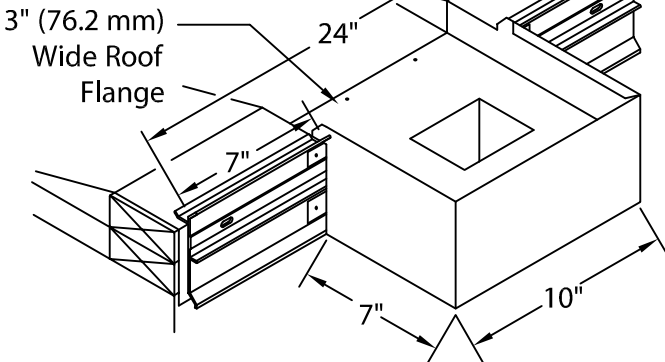


# ANCHOR-TITE STANDARD FASCIA SCUPPERS

FULLY ADHERED OR MECHANICALLY ATTACHED SINGLE-PLY VERSION

SCUPPERS - FACTORY WELDED CONSTRUCTION

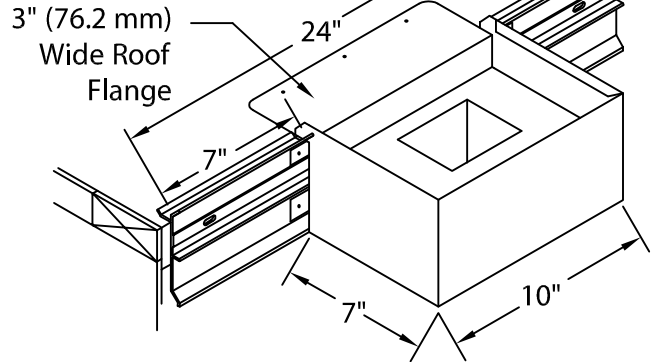
## DOWNSPOUT SCUPPER TYPE DSA (TAPERED)



FOR USE WITH TAPERED EDGE STRIP.  
FLANGE LOWERED 1-1/2" (38.1 mm).

NOTE : SPECIFY TUBE SIZE

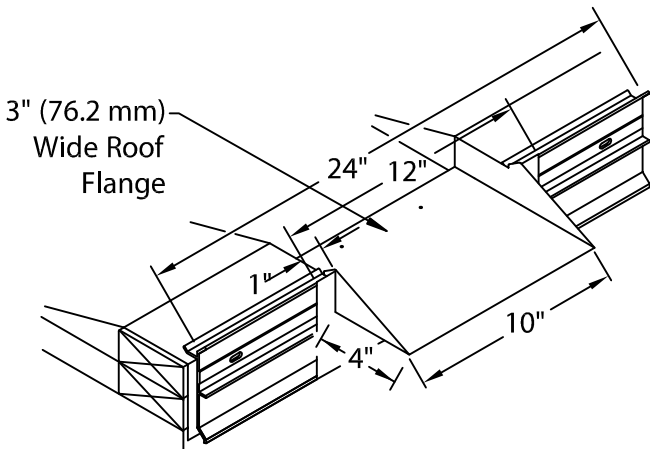
## DOWNSPOUT SCUPPER TYPE DSB (FLAT)



FOR USE WITHOUT TAPERED EDGE STRIP.  
FLANGE FLUSH MOUNTED WITH ROOF.

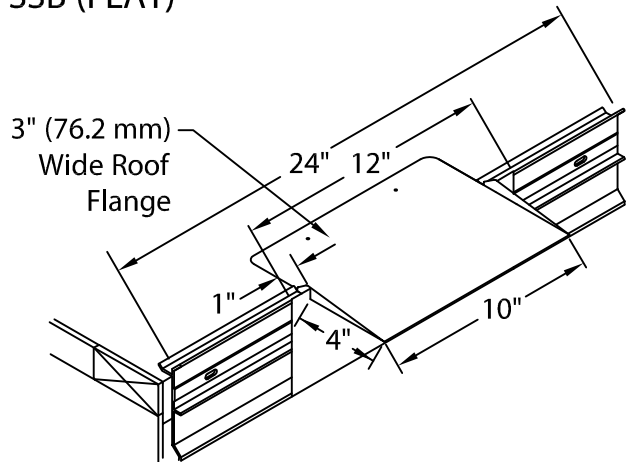
NOTE : SPECIFY TUBE SIZE

## SPILLOUT SCUPPER TYPE SSA (TAPERED)



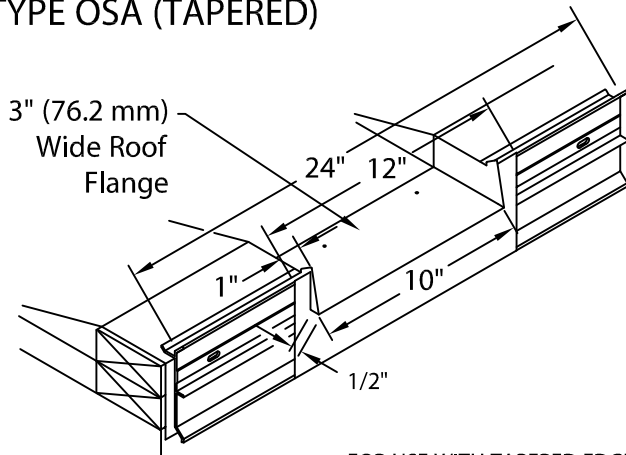
FOR USE WITH TAPERED EDGE STRIP.  
FLANGE LOWERED 1-1/2" (38.1 mm).

## SPILLOUT SCUPPER TYPE SSB (FLAT)



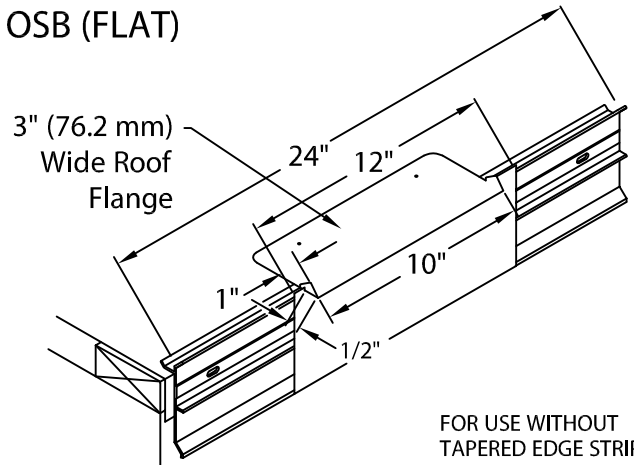
FOR USE WITHOUT TAPERED EDGE STRIP.  
FLANGE FLUSH MOUNTED WITH ROOF.

## OVERFLOW SCUPPER TYPE OSA (TAPERED)



FOR USE WITH TAPERED EDGE STRIP.  
FLANGE LOWERED 1-1/2" (38.1 mm)

## OVERFLOW SCUPPER TYPE OSB (FLAT)



FOR USE WITHOUT  
TAPERED EDGE STRIP.  
FLANGE FLUSH  
MOUNTED WITH ROOF.



Phone: 800-558-2162

Fax: 800-373-9156

www.metalera.com

DATE: 12/01/05

DRN BY: DWP

CKD BY: SAK

SHT.# \_\_\_ OF \_\_\_

DWG# 11510-1109

C