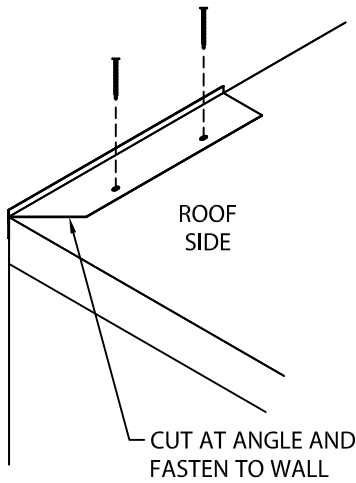


ELIMINAILER®-T

FLUTE FILL METAL ROOF VERSION

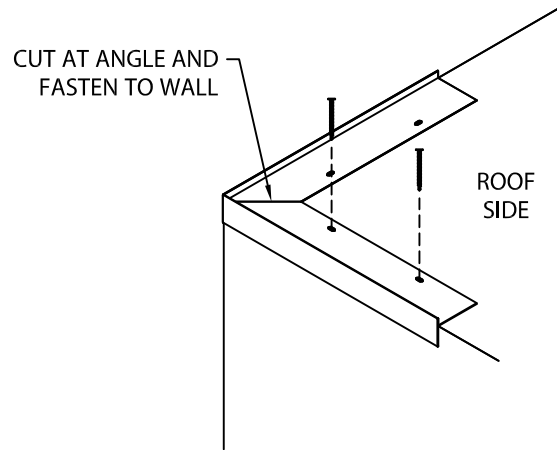
INSTALLATION INSTRUCTIONS

U.S. PATENT # 9,878,023 B1



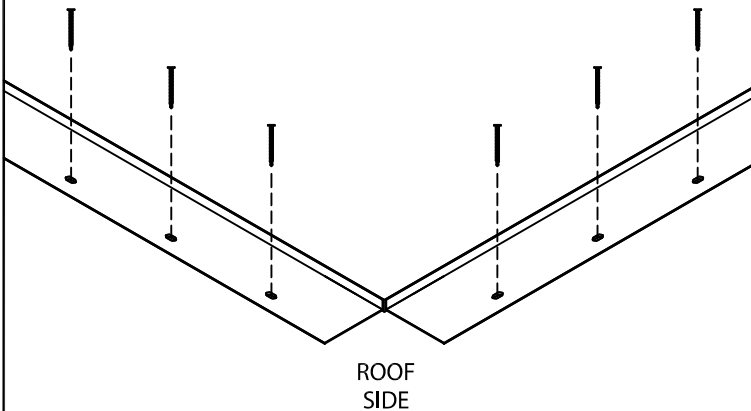
1. OUTSIDE MITER FABRICATION

CUT A PIECE OF ELIMINAILER T (ANY LENGTH) ON AN ANGLE. FASTEN TO WALL 6" O.C. AT CORNER WITH PROVIDED FASTENERS.



2. OUTSIDE MITER FABRICATION

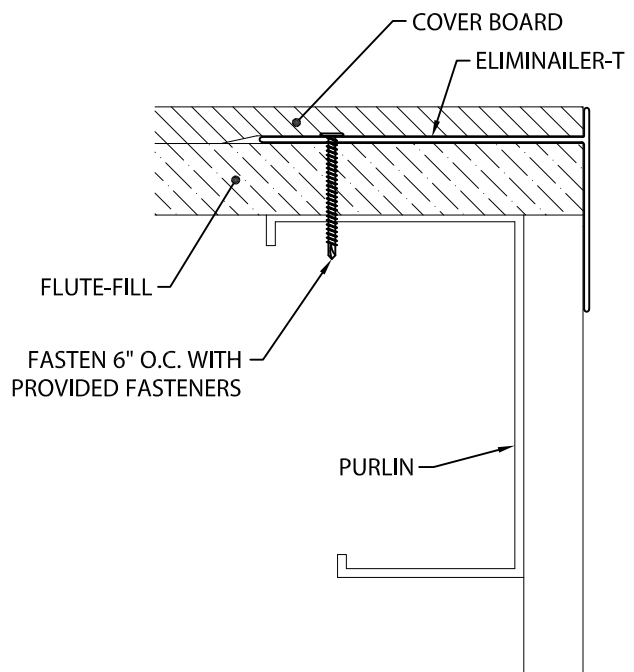
CUT A SECOND PIECE OF ELIMINAILER T (ANY LENGTH) ON AN ANGLE TO FORM A COMPLETE MITER. FASTEN TO WALL AT CORNER WITH PROVIDED FASTENERS 6" O.C.



3. INSIDE MITERS

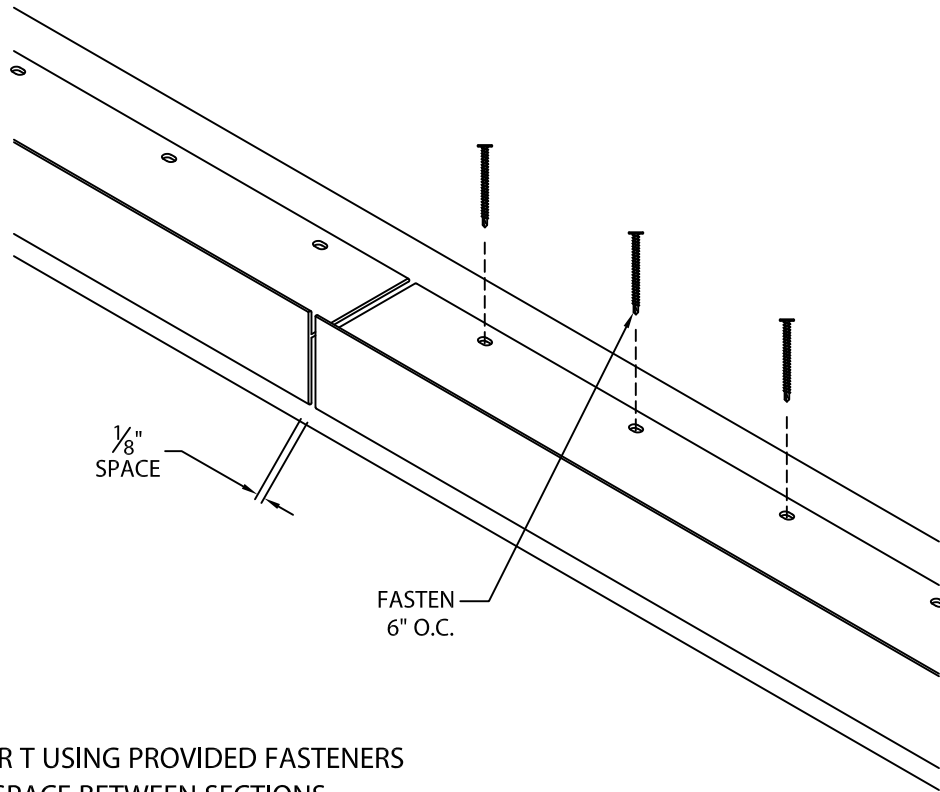
NO BAR CUTTING IS NEEDED FOR INSIDE MITERS. SIMPLY BUTT FULL SIZE BARS TIGHT INTO CORNER AND FASTEN TO WALL 6" O.C. WITH PROVIDED FASTENERS.

TYPICAL INSTALLATION



ELIMINAILER®-T

FLUTE FILL METAL ROOF VERSION



4. ELIMINAILER T

FASTEN ELIMINAILER T USING PROVIDED FASTENERS
6" O.C. LEAVE A 1/8" SPACE BETWEEN SECTIONS.