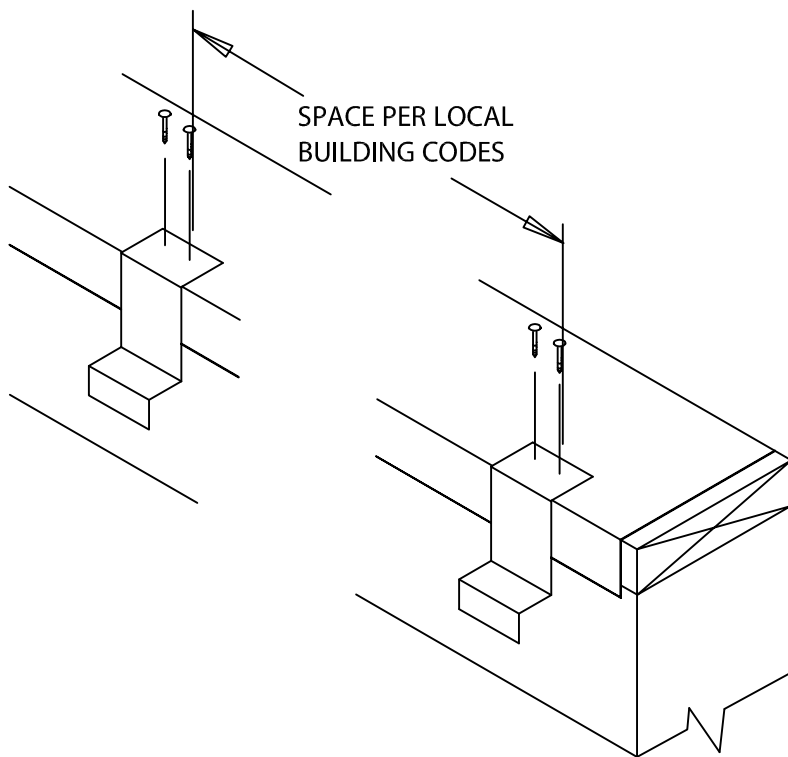


LIGHTNING ROD BRACKET

STYLE 1

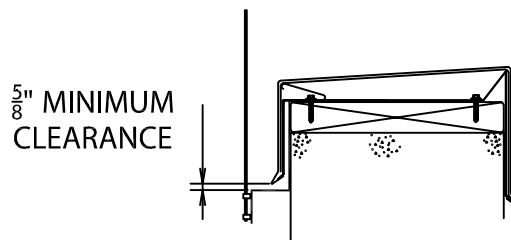
INSTALLATION INSTRUCTIONS



LOCATE AND FASTEN LIGHTNING ROD BRACKETS TO INSIDE FACE OF WALL PER LOCAL BUILDING CODES WITH APPROPRIATE FASTENERS FOR SUBSTRATE.

NOTE: BRACKETS MUST BE INSTALLED PRIOR TO COPING INSTALLATION!

TYPICAL BRACKET INSTALLATION



PROJECT:

ARCHITECT:

ROOFING CONTRACTOR:

REPRESENTATIVE/DISTRIBUTOR:

Corporate Offices, Manufacturing
1600 Airport Road; Waukesha, WI 53188
Phone: 800-558-2162
Fax: 800-373-9156
www.metalera.com

DATE: 11/15/05

DRN BY: JJC

CKD BY: SAK

SHT.# ____ OF ____

DWG# 11118-1985

A

