

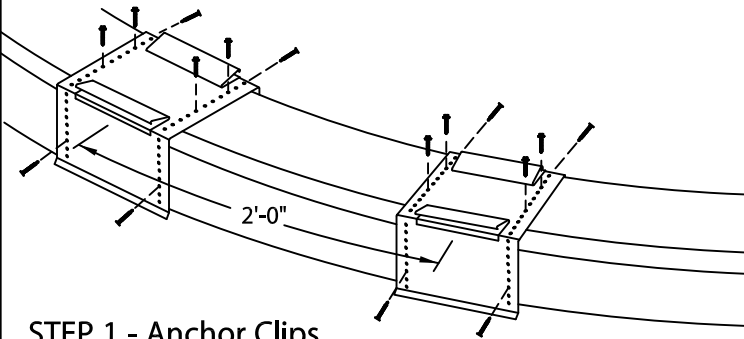


# PERMA-TITE RADIUS COPING

FLAT OR TAPERED VERSION - 2'-0" O.C.

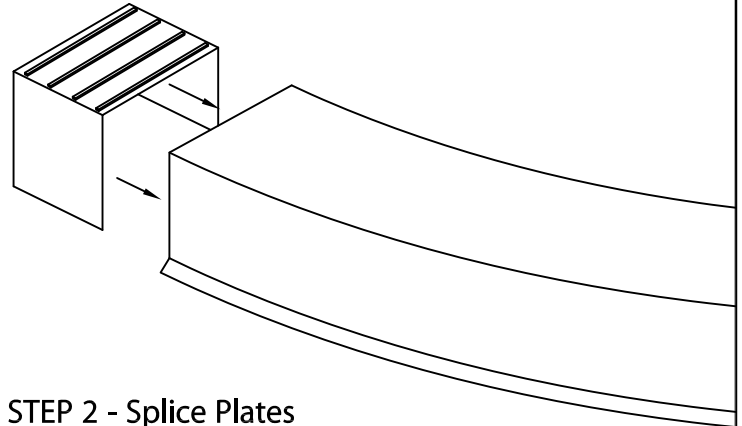
## INSTALLATION INSTRUCTIONS

**NOTE:** Position roof membrane on top of the wall covering the treated wood nailer(s) or substrate completely. Allow 1/2" minimum excess membrane beyond nailer where applicable. NRCA Requirement.



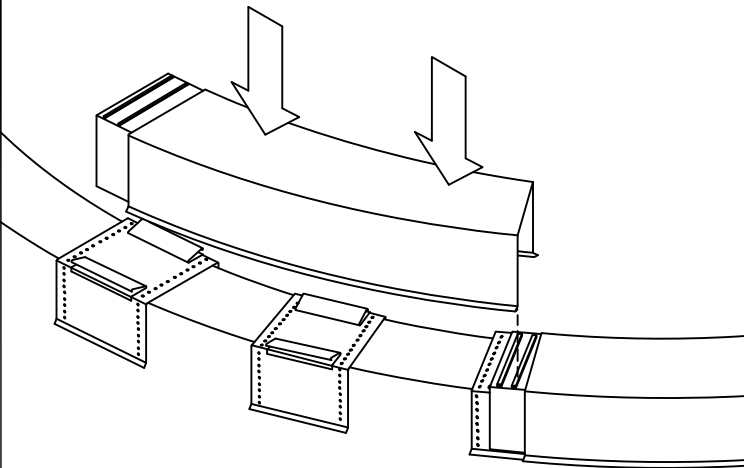
### STEP 1 - Anchor Clips

Locate and fasten anchor clips at 2'-0" O.C. with provided fasteners for substrate using the third full hole from bend (see detail A)



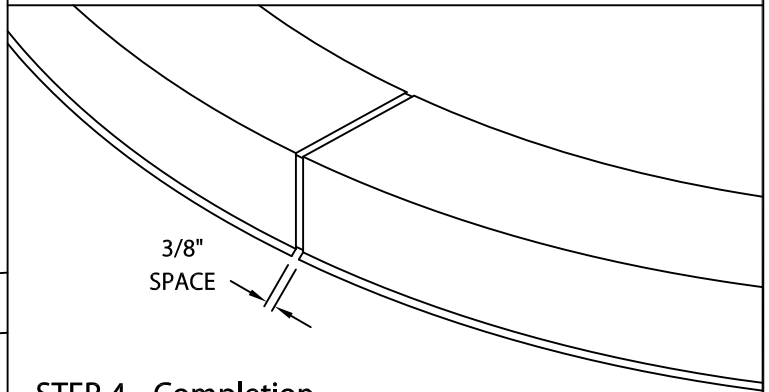
### STEP 2 - Splice Plates

Remove release paper from left two sealant strips. Insert splice plate into the right end of radius section.



### STEP 3 - Coping Cover

Remove release paper from right two factory applied sealant strips on the splice plate in the coping section. Install 4'-0" radius coping sections from left to right. Place coping into position and press downward until snap-lock occurs.



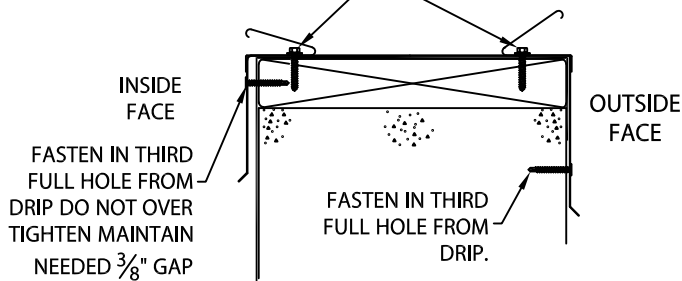
### STEP 4 - Completion

Continue installing coping with a 3/8" space at splice joints to allow for thermal expansion. Field cut where necessary using a fine tooth hacksaw or snips.

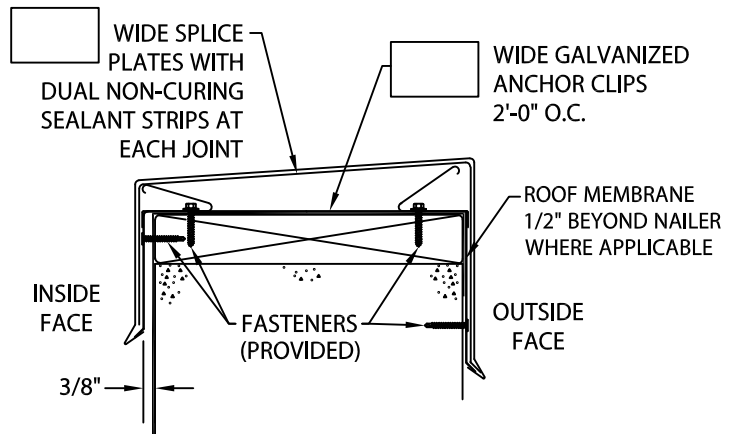
**NOTE:** REMOVE PROTECTIVE FILM IMMEDIATELY.

### ANCHOR CLIP FASTENING-DETAIL A

LOCATE FASTENERS IN THIRD FULL HOLE FROM BEND



### TYPICAL COPING INSTALLATION



Phone: 800-558-2162  
Fax: 800-373-9156  
www.metalera.com

DATE: 12/06/21  
DRN BY: MLM  
CKD BY: MM

SHT.# \_\_\_ OF \_\_\_  
DWG# 11111-37475 **A**