

PLEASE READ

TECH BULLETIN: “PINKING” OF TPO PRODUCTS

You may notice a pink, red or orangish coloration called "pinking" on the surface of TPO products and samples. Please note that this is a **temporary** coloration. The “pinking” **will** go away within 24 hours of being installed once it is exposed to UV light. It’s important that the product is **installed** and **exposed completely** for the UV light to reach the full product.

Many TPO products contain a stabilization/weathering package which includes very powerful antioxidants that help protect the finished product from degradation due to heat induced thermal oxidation and sunlight induced photo-oxidation. Certain antioxidants in some weathering packages are particularly effective, but they are susceptible to pinking under the right environmental conditions, usually during storage. Pinking or "gas fading" is a surface reaction of these antioxidants with air pollutants, mostly nitrous oxides and sulfur oxides, produced in combustion processes. Pinking occurs over time on unweathered TPO surfaces that are exposed to polluted air, particularly in the absence of light.

As mentioned this is a temporary condition. The pinking will disappear upon exposure to sunlight and weathering in general once the product is completely installed. The products are not stained or permanently discolored in any way.

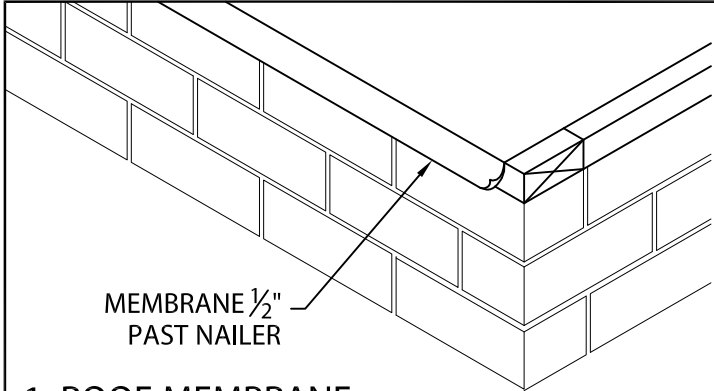


ONE DRIP EDGE

TPO OR PVC VERSION WITH CONTINUOUS CLEAT

NOTE: INSTALL MITERS FIRST

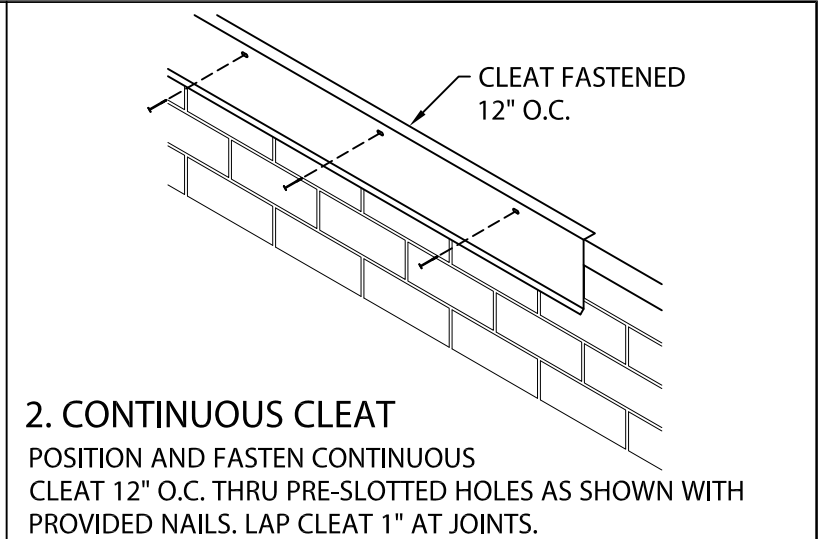
INSTALLATION INSTRUCTIONS



MEMBRANE $\frac{1}{2}$ " PAST NAILER

1. ROOF MEMBRANE

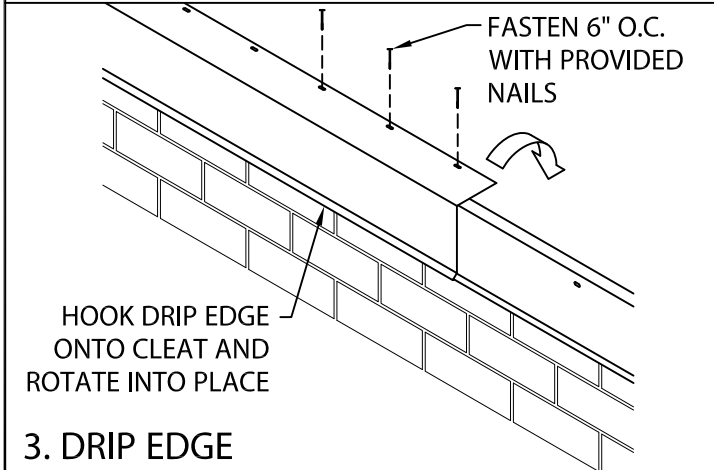
POSITION MEMBRANE OVER THE ROOF EDGE AND DOWN OUTSIDE FACE OF WALL, COVERING WOOD NAILER(S) COMPLETELY. ALLOW $\frac{1}{2}$ " EXCESS MEMBRANE.



CLEAT FASTENED 12" O.C.

2. CONTINUOUS CLEAT

POSITION AND FASTEN CONTINUOUS CLEAT 12" O.C. THRU PRE-SLOTTED HOLES AS SHOWN WITH PROVIDED NAILS. LAP CLEAT 1" AT JOINTS.

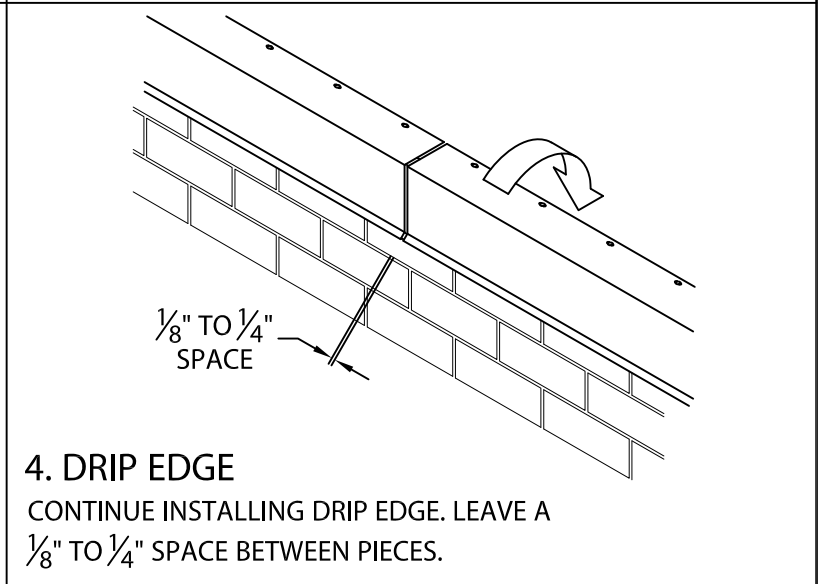


FASTEN 6" O.C. WITH PROVIDED NAILS

HOOK DRIP EDGE ONTO CLEAT AND ROTATE INTO PLACE

3. DRIP EDGE

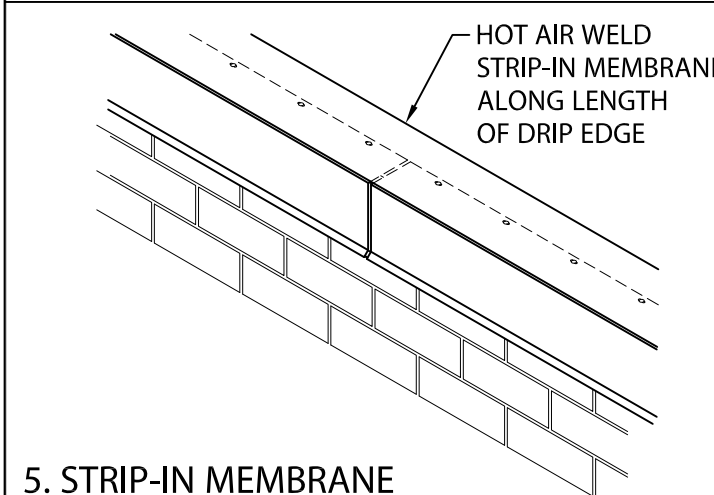
HOOK DRIP EDGE OF EACH DRIP EDGE SECTION ONTO CONTINUOUS CLEAT, ROTATE INTO PLACE. FASTEN THRU PRE-SLOTTED HOLES 6" WITH PROVIDED NAILS.



$\frac{1}{8}$ " TO $\frac{1}{4}$ " SPACE

4. DRIP EDGE

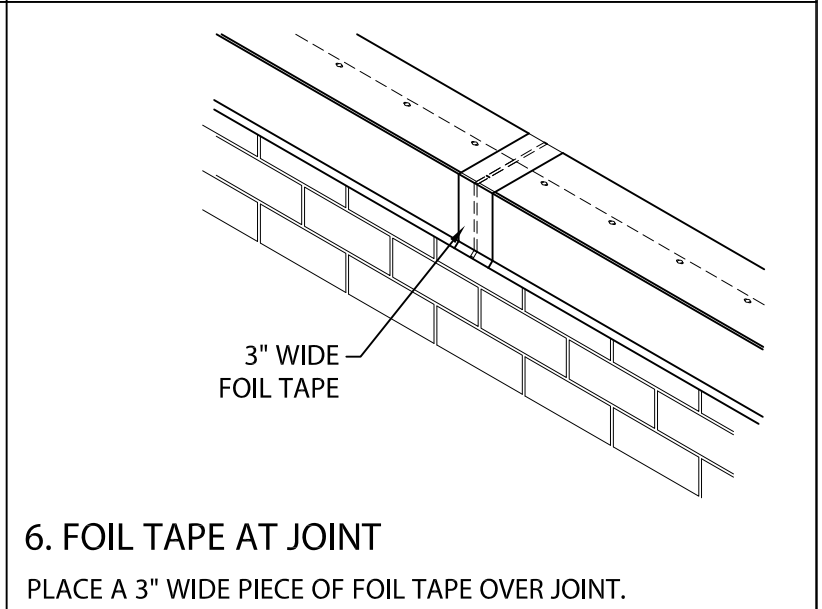
CONTINUE INSTALLING DRIP EDGE. LEAVE A $\frac{1}{8}$ " TO $\frac{1}{4}$ " SPACE BETWEEN PIECES.



HOT AIR WELD STRIP-IN MEMBRANE ALONG LENGTH OF DRIP EDGE

5. STRIP-IN MEMBRANE

HOT AIR WELD STRIP-IN MEMBRANE ALONG ENTIRE LENGTH OF DRIP EDGE PER MANUFACTURERS INSTRUCTIONS.



3" WIDE FOIL TAPE

6. FOIL TAPE AT JOINT

PLACE A 3" WIDE PIECE OF FOIL TAPE OVER JOINT.



Phone: 800-558-2162
Fax: 800-373-9156
www.metalera.com

DATE: 09/26/18
DRN BY: JJC
CKD BY: SAK

SHT.# 1 OF 2
DWG# 11110-22510

E

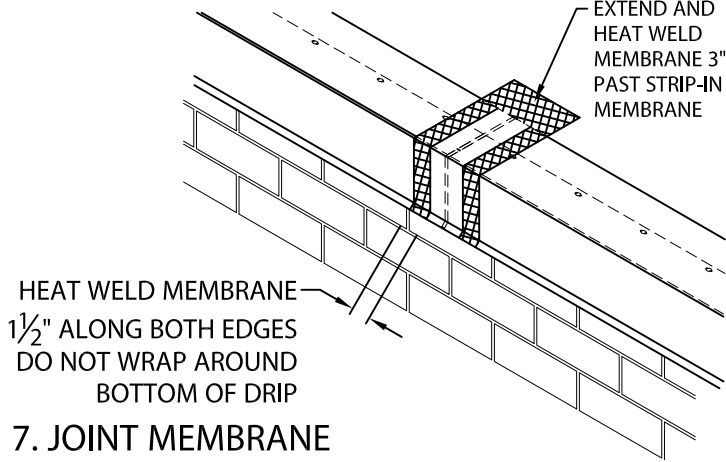


ONE DRIP EDGE

TPO OR PVC VERSION WITH CONTINUOUS CLEAT

NOTE: INSTALL MITERS FIRST

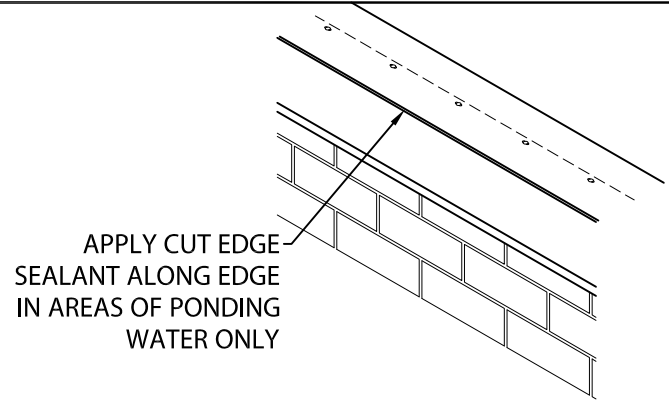
INSTALLATION INSTRUCTIONS



HEAT WELD MEMBRANE
 1½" ALONG BOTH EDGES
 DO NOT WRAP AROUND
 BOTTOM OF DRIP

7. JOINT MEMBRANE

HEAT WELD A 6" WIDE PIECE OF NON-REINFORCED
 MEMBRANE OVER JOINT AS SHOWN ABOVE.

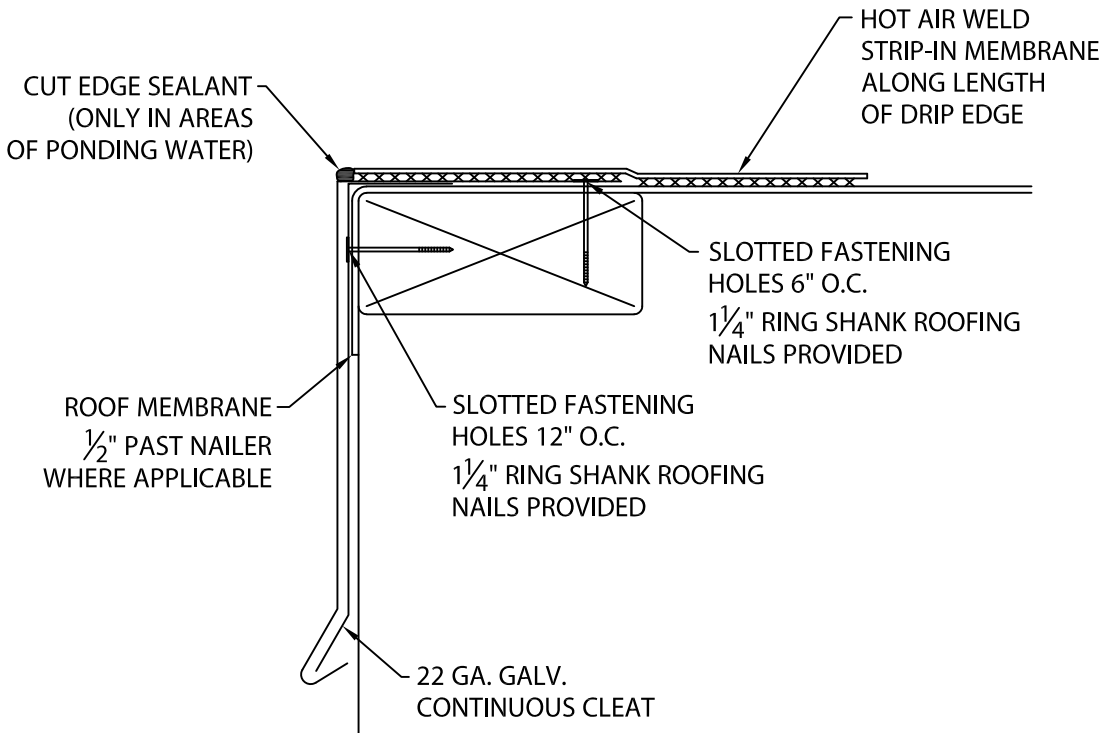


APPLY CUT EDGE
 SEALANT ALONG EDGE
 IN AREAS OF PONDING
 WATER ONLY

8. SEALANT

APPLY CUT EDGE SEALANT ONLY TO EDGES WHERE
 PONDING OCCURS.

TYPICAL INSTALLATION



CUT EDGE SEALANT
 (ONLY IN AREAS
 OF PONDING WATER)

HOT AIR WELD
 STRIP-IN MEMBRANE
 ALONG LENGTH
 OF DRIP EDGE

SLOTTED FASTENING
 HOLES 6" O.C.
 1¼" RING SHANK ROOFING
 NAILS PROVIDED

ROOF MEMBRANE
 ½" PAST NAILER
 WHERE APPLICABLE

SLOTTED FASTENING
 HOLES 12" O.C.
 1¼" RING SHANK ROOFING
 NAILS PROVIDED

22 GA. GALV.
 CONTINUOUS CLEAT



Phone: 800-558-2162
 Fax: 800-373-9156
 www.metalera.com

DATE: 09/26/18
 DRN BY: JJC
 CKD BY: SAK

SHT.# 2 OF 2
 DWG# 11110-22510

E