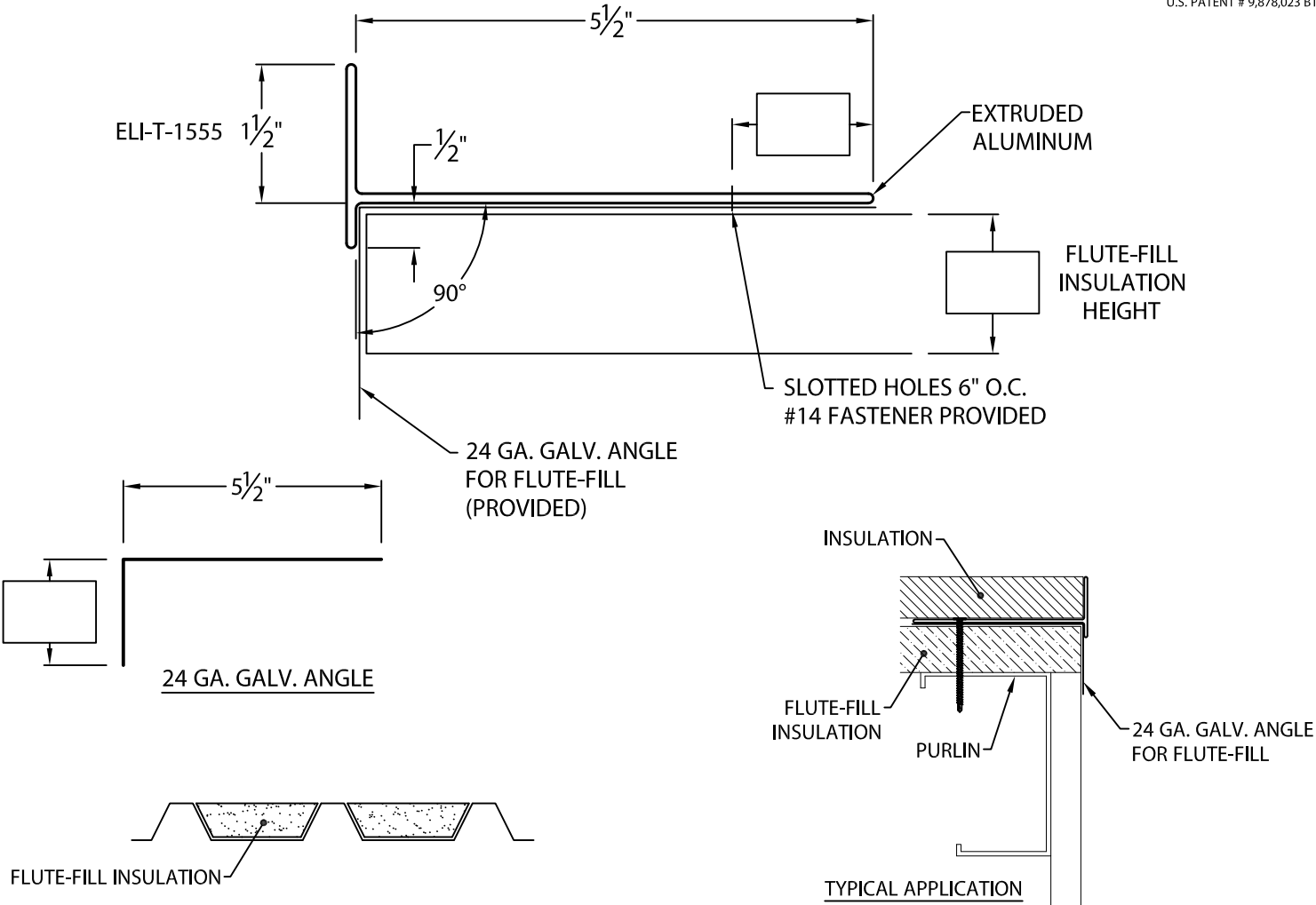


ELIMINAILER-T

FOR USE WITH FLUTE FILL, EXTRA INSULATION, METAL ROOF APPLICATION 1.5" ELIMINAILER VERSION
NON-PITCHED CONDITION

U.S. PATENT # 9,878,023 B1



Fabrication will proceed only after receipt of signed print approval.

Print Approval:

Architect and/or contractor shall verify all dimensions, sizes and quantities. All products to be installed in strict accordance with Metal-Era's printed instructions.

Approved by: _____
Date: _____

NOTE: FASTENERS PROVIDED WILL BE FLUTE-FILL INSULATION HEIGHT PLUS 1" MINIMUM. THE SUBSTRATE THE FASTENERS ARE ATTACHING TO MUST BE 22 GA. OR GREATER. TYPICALLY FASTENERS ARE ATTACHED TO PURLIN.

QUANTITIES:

_____ LINEAL FEET 12'-0" LENGTHS

PROJECT:
ARCHITECT:
ROOFING CONTRACTOR:
REPRESENTATIVE/DISTRIBUTOR:

Corporate Offices, Manufacturing
1600 Airport Road; Waukesha, WI 53188
Phone: 800-558-2162
Fax: 800-373-9156
www.metalera.com



DATE: 08/06/19
DRN BY: JJC
CKD BY: JAI
SHT.# ____ OF ____
DWG# 11018-29484

B