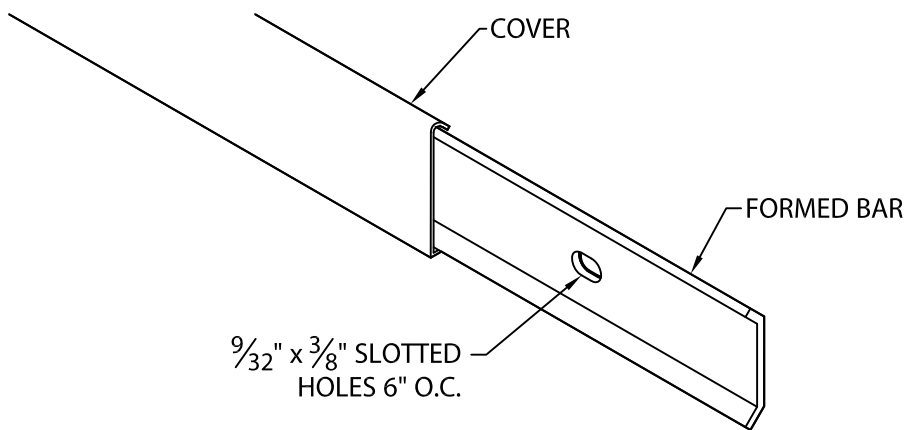
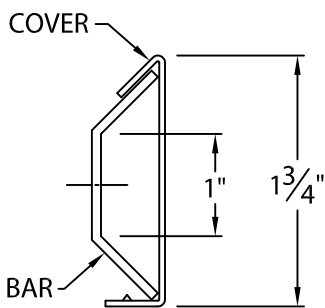


# FORMED TERMINATION BAR

ANSI/SPRI ES-1 DESIGN PRESSURE OF 360 psf

FORMED BAR WITH COVER



COVER PROVIDED WITH 1" LAP JOINTS  
SLOTTED FASTENING HOLES  $\frac{9}{32}$ " x  $\frac{3}{8}$ " FURNISHED 6" O.C.

Fabrication will proceed only after receipt of signed print approval.

## Print Approval:

Architect and/or contractor shall verify all dimensions, sizes and quantities. All products to be installed in strict accordance with Metal-Era's printed instructions.

Approved by: \_\_\_\_\_

Date: \_\_\_\_\_

### BAR MATERIAL: (CB-175F)

.063" ALUMINUM

### COVER MATERIAL: (CF-175F)

\_\_\_ 24 GA. GALVANIZED STEEL

\_\_\_ .040" ALUMINUM

COLOR: \_\_\_\_\_ FINISH: \_\_\_\_\_

### QUANTITIES:

\_\_\_\_\_ BAR LINEAL FEET 12'-0" LENGTHS

\_\_\_\_\_ COVER LINEAL FEET 12'-0" LENGTHS

PROJECT:

ARCHITECT:

ROOFING CONTRACTOR:

REPRESENTATIVE/DISTRIBUTOR:

Corporate Offices, Manufacturing  
1600 Airport Road; Waukesha, WI 53188  
Phone: 800-558-2162  
Fax: 800-373-9156  
www.metalera.com



DATE: 09/26/17

DRN BY: JJC

CKD BY: SAK

SHT.# \_\_\_\_ OF \_\_\_\_

DWG# 11016-26279

E