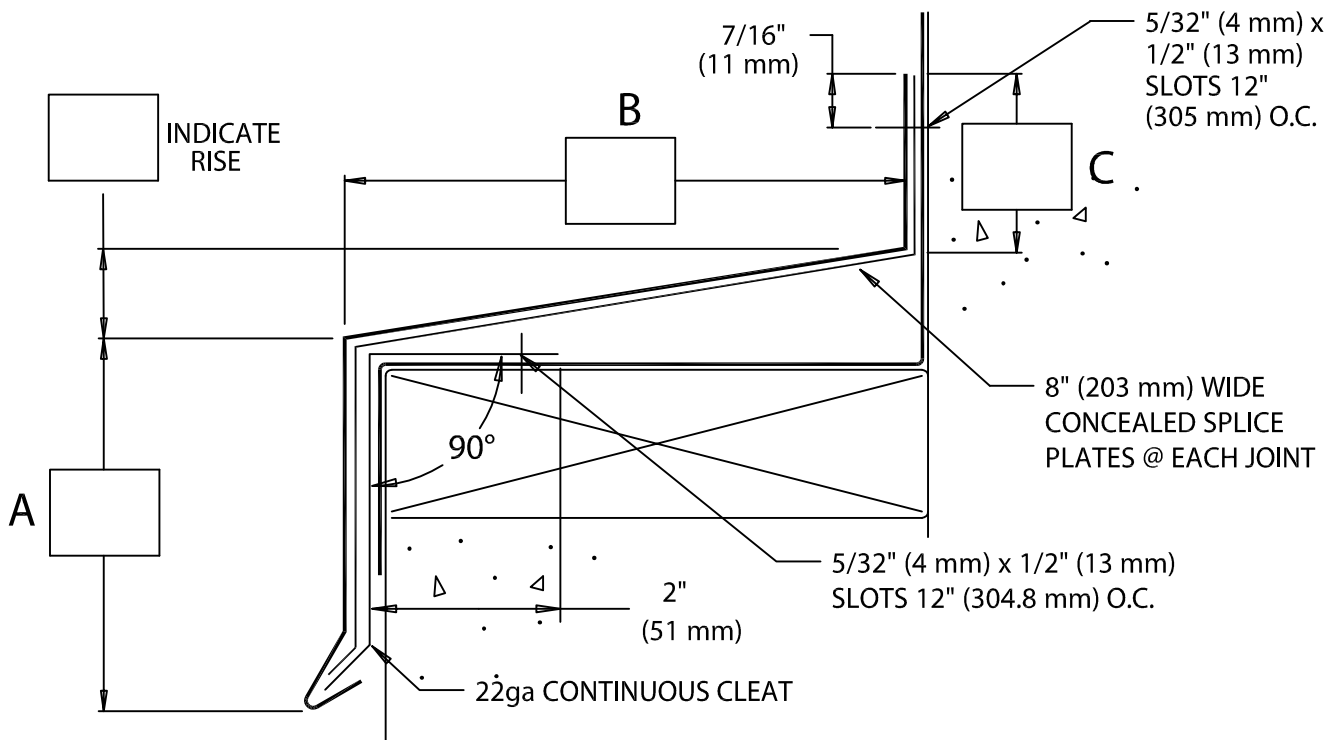


BRICK / WALL CAP



NOTES:

-- CONCEALED SPLICE PLATE MUST BE FIELD CAULKED OF TO PREVENT WATER ENTRY.

-- UNLESS OTHERWISE NOTED, FABRICATION OF MITERS AND ACCESSORIES ARE FURNISHED STANDARD UTILIZING A NON-PENETRATING "QUICKLOCK" JOINT. THEN FACTORY SEALED WATERTIGHT.

-- Welded Miters and Accessories

Check one Required (surcharge) Not applicable

MATERIAL:

___ 24 Ga. (0.65 mm) Galv.

___ .040" (1.01 mm) Alum.

___ .050" (1.27 mm) Alum.

___ .063" (1.60 mm) Alum.

___ OTHER _____

Color: _____ Finish: _____

Fabrication will proceed only after receipt of signed print approval.

Print Approval:

Architect and/or contractor shall verify all dimensions, sizes and quantities. All products to be installed in strict accordance with Metal-Era's printed instructions.

Approved by: _____

Date: _____

QUANTITIES:

_____ Lineal Feet 12'-0" (3.65m) Lengths

_____ Outside Miters @ (_____)° _____ Right End Caps

_____ Inside Miters @ (_____)° _____ Left End Caps

PROJECT:

ARCHITECT:

ROOFING CONTRACTOR:

REPRESENTATIVE/DISTRIBUTOR:

Corporate Offices, Manufacturing
1600 Airport Road; Waukesha, WI 53188
Phone: 800-558-2162
Fax: 800-373-9156
www.metalera.com



DATE: 07/26/05

DRN BY: DWP

CKD BY: SAK

SHT.# _____ OF _____

DWG# 11014-1313

A