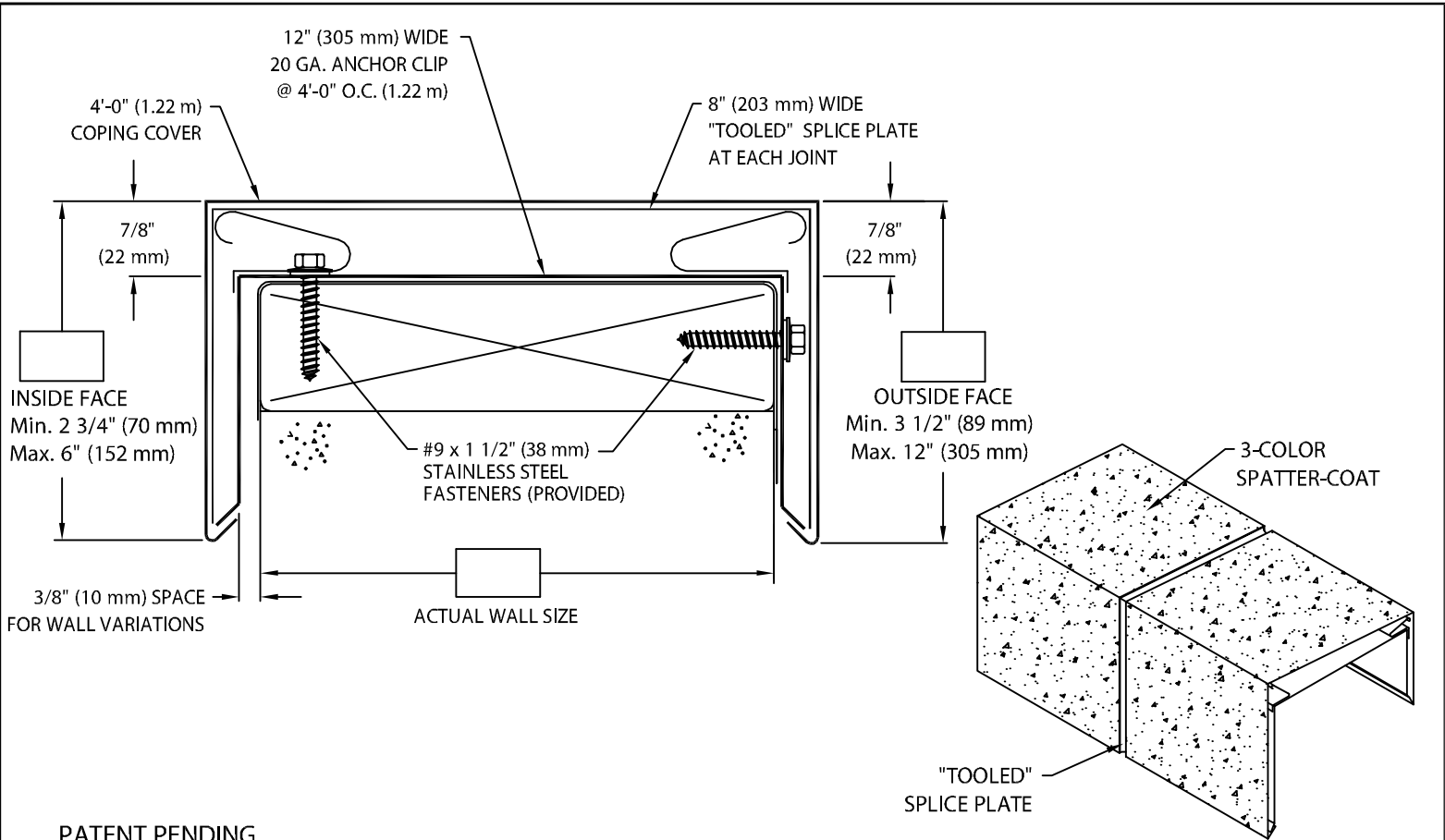


DESIGNER STONE-LOOK COPING

FLAT VERSION



PATENT PENDING

Coping is to be installed per Specifications and Metal-Era's Installation Instruction Dwg. # 11111-1268

- * "Tooled" splice plates are provided with factory applied non-curing sealant strips.
- * Miters and all other accessories are welded.

Fabrication will proceed only after receipt of signed print approval.

Print Approval:

Architect and/or contractor shall verify all dimensions, sizes and quantities. All products to be installed in strict accordance with Metal-Era's printed instructions.

Approved by: _____

Date: _____

MATERIAL:

___ .050" (1.27 mm) Alum.
 ___ .063" (1.60 mm) Alum.
 ___ OTHER _____

COLOR:

___ Brown Stone Spatter
 ___ Cast Stone Spatter
 ___ Lime Stone Spatter
 ___ Sand Stone Spatter

QUANTITIES:

_____ Lineal Feet 4'-0" (1.22 m) Lengths
 _____ Outside Miters @ (_____)°
 _____ Inside Miters @ (_____)°
 _____ Right End Caps
 _____ Left End Caps

PROJECT:

ARCHITECT:

ROOFING CONTRACTOR:

REPRESENTATIVE/DISTRIBUTOR:

Corporate Offices, Manufacturing
 1600 Airport Road; Waukesha, WI 53188
 Phone: 800-558-2162
 Fax: 800-373-9156
 www.metalera.com



DATE: 10/31/11

DRN BY: JJC

CKD BY: SAK

SHT.# _____ OF _____

DWG# 11011-4248

E