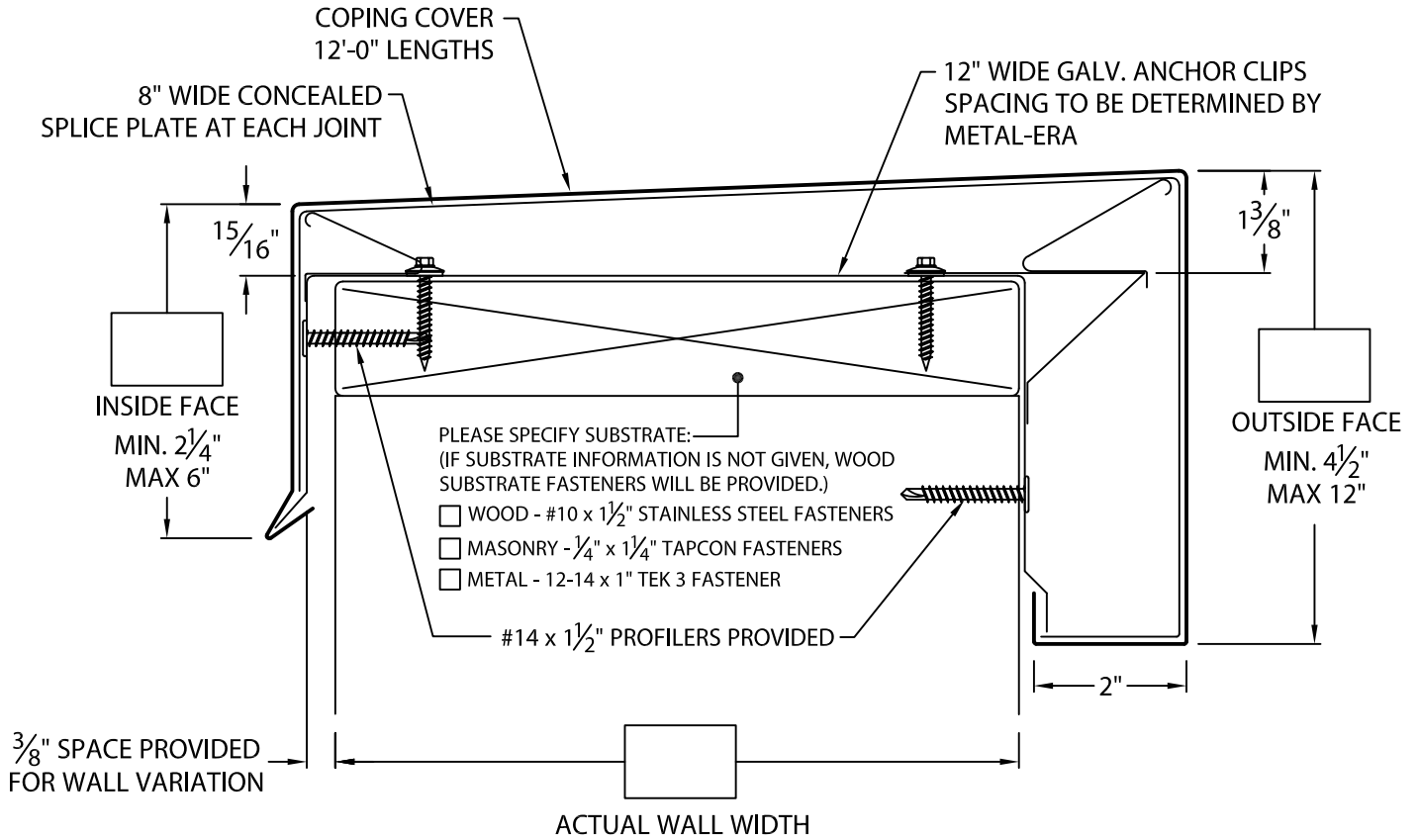


CREATIVE DESIGN BOLD FACE COPING



-- CONCEALED SPLICE PLATES ARE PROVIDED WITH FACTORY APPLIED NON-CURING SEALANT STRIPS.

-- UNLESS OTHERWISE NOTED, FABRICATION OF MITERS AND ACCESSORIES ARE FURNISHED STANDARD UTILIZING A NON-PENETRATING QUICKLOCK JOINT, THEN FACTORY SEALED WATERTIGHT.

-- WELDED MITERS AND ACCESSORIES
CHECK ONE REQUIRED (SURCHARGE) NOT APPLICABLE

MATERIAL:

___ 24 GA. GALVANIZED STEEL
 ___ .040" ALUMINUM COLOR: _____
 ___ .050" ALUMINUM
 ___ .063" ALUMINUM FINISH: _____
 ___ OTHER _____

QUANTITIES:

_____ LINEAL FEET 12'-0" LENGTHS
 _____ OUTSIDE MITERS @ 90°
 _____ INSIDE MITERS @ 90°
 _____ RIGHT ENDCAPS
 _____ LEFT ENDCAPS
 FOR NON-90° MITERS SEE PRINT APPROVAL #11011-1487

Fabrication will proceed only after receipt of signed print approval.

Print Approval:

Architect and/or contractor shall verify all dimensions, sizes and quantities. All products to be installed in strict accordance with Metal-Era's printed instructions.

Approved by: _____

Date: _____

PROJECT:

ARCHITECT:

ROOFING CONTRACTOR:

REPRESENTATIVE/DISTRIBUTOR:

Corporate Offices, Manufacturing
 1600 Airport Road; Waukesha, WI 53188
 Phone: 800-558-2162
 Fax: 800-373-9156
 www.metalera.com



DATE: 12/16/19

DRN BY: JJC

CKD BY: JAI

SHT.# _____ OF _____

DWG# 11011-28630

C