

PERMA-TITE GOLD CANTILEVER WELDED RADIUS COPING

SINGLE SIDE SPACE 6" OR LESS, OUTSIDE FACE 3 1/2" TO 6" VERSION

IMPORTANT!!! MUST INDICATE PROPER RADIUS CONDITION BY CIRCLING APPROPRIATE OUTSIDE FACE

PROVIDING A RADIUS

THE RADIUS MAY BE PROVIDED IN ONE OF TWO METHODS:

1.) THE ACTUAL KNOWN RADIUS IS

' FEET " INCHES

MINIMUM OF 3'-0"

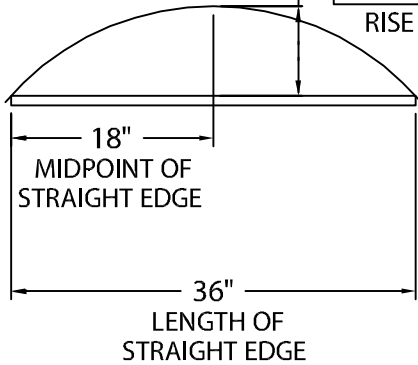
OR

2.) FIELD CONDITION MEASUREMENTS

NOTE: REFER TO ATTACHED WORKSHEET FOR FURTHER INFORMATION

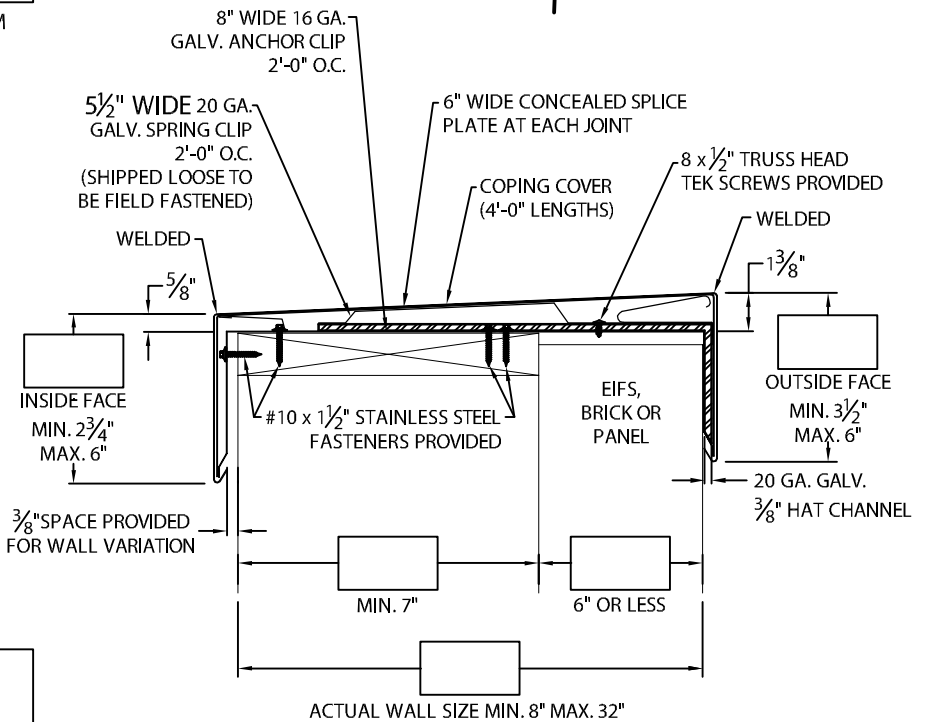
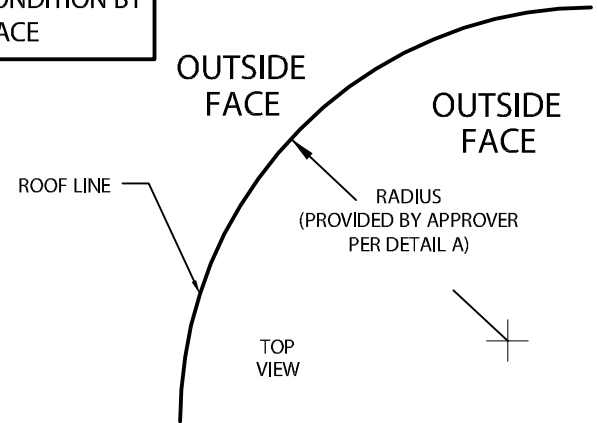
" INCHES

RISE MAXIMUM OF 4 3/4"



NOTE: CHECK MEASUREMENTS ALONG ENTIRE RADIUS.

DETAIL A



NOTES:

-- Concealed splice plates are provided with factory applied dual non-curing sealant strips.

Fabrication will proceed only after receipt of signed print approval.

Print Approval:

Architect and/or contractor shall verify all dimensions, sizes and quantities. All products to be installed in strict accordance with Metal-Era's printed instructions.

Approved by: _____

Date: _____

MATERIALS:

TOP - .080" ALUMINUM

SIDES - .063" ALUMINUM

COLOR: _____

FINISH: _____

QUANTITIES:

_____ LINEAL FEET 4'-0" LENGTHS

PROJECT:

ARCHITECT:

ROOFING CONTRACTOR:

REPRESENTATIVE/DISTRIBUTOR:

Corporate Offices, Manufacturing
1600 Airport Road; Waukesha, WI 53188
Phone: 800-558-2162
Fax: 800-373-9156
www.metalera.com



DATE: 04/19/17

DRN BY: JJC

CKD BY: SAK

SHT.# ____ OF ____

DWG# 11011-20431

C