

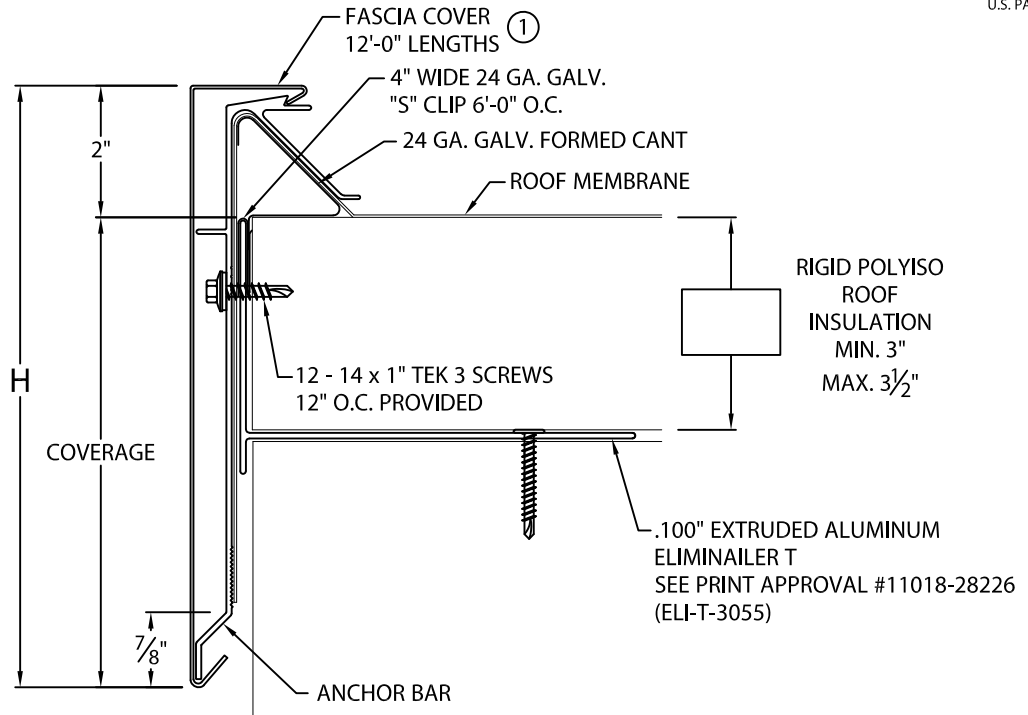


# ANCHOR-TITE CANTED FOR USE WITH ELIMINAILER®-T

3" ELIMINAILER VERSION

FOR USE WITH METAL DECK

U.S. PATENT # 9,878,023 B1



## NOTES:

- ① FASCIA COVER PROVIDED WITH 3 1/2" WIDE SPLICE PLATES.
- ② NOT AVAILABLE IN 24 GA. GALV. STEEL OR .040" ALUMINUM.

## ANCHOR-TITE CANTED DIMENSIONS

PRODUCT ID. NO.	H DIM	COVERAGE
<input type="checkbox"/> T-AEFC-75	7 1/2"	5 1/2"
<input type="checkbox"/> T-AEFC-85	8 1/2"	6 1/2"
<input type="checkbox"/> T-AEFC-100 ②	10"	8"

Fabrication will proceed only after receipt of signed print approval.

## Print Approval:

Architect and/or contractor shall verify all dimensions, sizes and quantities. All products to be installed in strict accordance with Metal-Era's printed instructions.

Approved by: \_\_\_\_\_

Date: \_\_\_\_\_

## CANTED COVER MATERIAL:

- \_\_\_ 24 GA. GALVANIZED STEEL      COLOR: \_\_\_\_\_
- \_\_\_ 22 GA. GALVANIZED STEEL      FINISH: \_\_\_\_\_
- \_\_\_ .040" ALUMINUM
- \_\_\_ .050" ALUMINUM
- \_\_\_ .063" ALUMINUM
- \_\_\_ OTHER \_\_\_\_\_

## QUANTITIES:

- \_\_\_\_\_ LINEAL FEET 12'-0" LENGTHS
  - \_\_\_\_\_ OUTSIDE MITER(S) @ 90°
  - \_\_\_\_\_ INSIDE MITER(S) @ 90°
  - \_\_\_\_\_ OVERFLOW SCUPPER(S)    STYLE \_\_\_A\_\_\_B
  - \_\_\_\_\_ SPILLOUT SCUPPER(S)    STYLE \_\_\_A\_\_\_B
  - \_\_\_\_\_ DOWNSPOUT(S)    STYLE \_\_\_A\_\_\_B (\_\_\_x\_\_\_) DOWNSPOUT SIZE
- A: TAPERED 1 1/2" DROP    B: FLAT

FOR NON-90 MITERS SEE PRINT APPROVAL #11010-1103

PROJECT:

ARCHITECT:

ROOFING CONTRACTOR:

REPRESENTATIVE/DISTRIBUTOR:

Corporate Offices, Manufacturing  
1600 Airport Road; Waukesha, WI 53188  
Phone: 800-558-2162  
Fax: 800-373-9156  
www.metalera.com



DATE: 03/15/18

DRN BY: JJC

CKD BY: SAK

SHT.# \_\_\_ OF \_\_\_

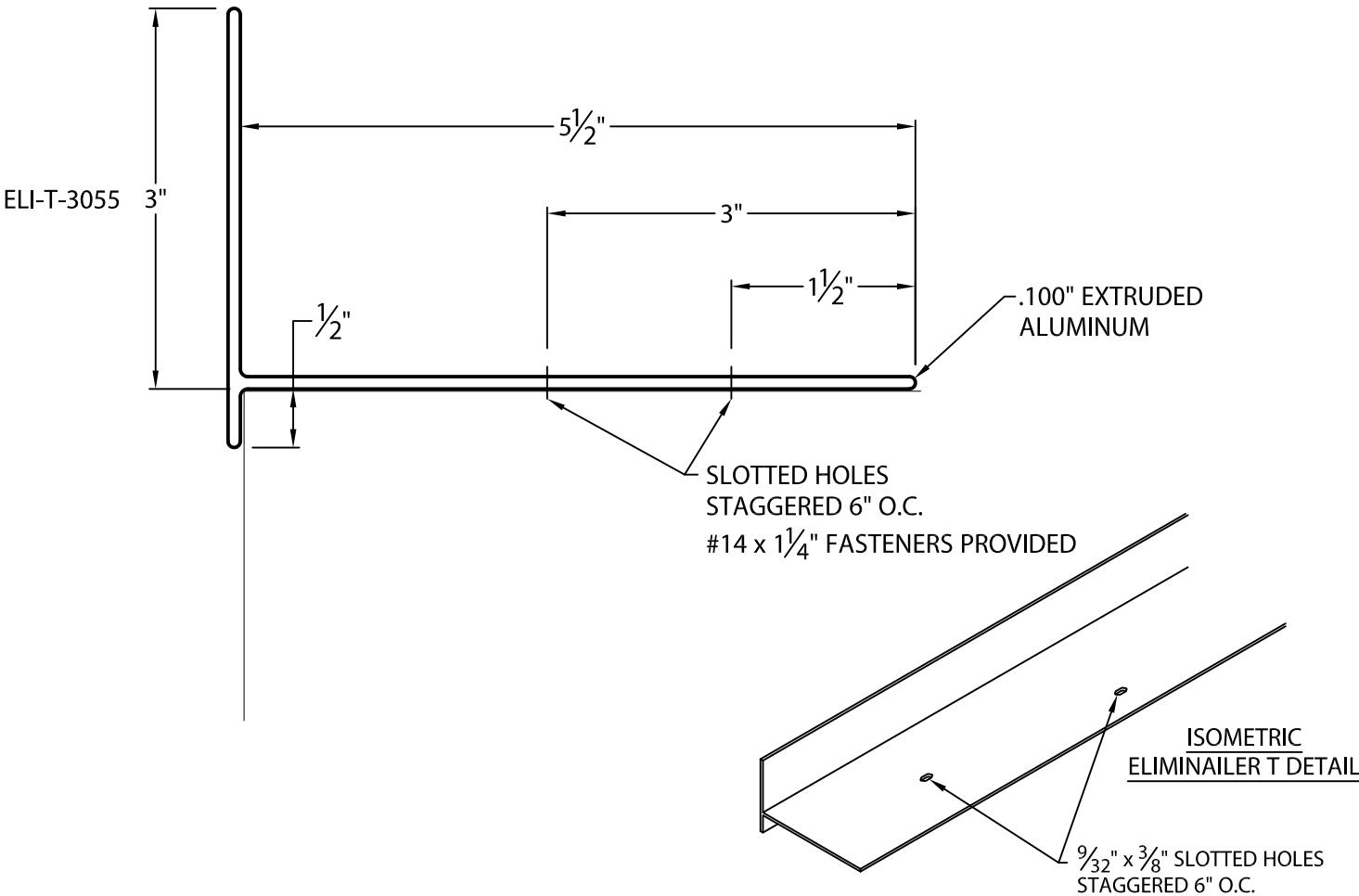
DWG# 11010-28234

A

# ELIMINAILER®-T

FOR USE WITH METAL DECK, 3" VERSION

U.S. PATENT # 9,878,023 B1



Fabrication will proceed only after receipt of signed print approval.

## Print Approval:

Architect and/or contractor shall verify all dimensions, sizes and quantities. All products to be installed in strict accordance with Metal-Era's printed instructions.

Approved by: \_\_\_\_\_

Date: \_\_\_\_\_

METAL DECK (22 GA. OR 20 GA. ONLY):

METAL DECK HEIGHT: \_\_\_\_\_

### QUANTITIES:

\_\_\_\_\_ LINEAL FEET 12'-0" LENGTHS

PROJECT:

ARCHITECT:

ROOFING CONTRACTOR:

REPRESENTATIVE/DISTRIBUTOR:

Corporate Offices, Manufacturing  
 1600 Airport Road; Waukesha, WI 53188  
 Phone: 800-558-2162  
 Fax: 800-373-9156  
 www.metalera.com



DATE: 04/04/18

DRN BY: JJC

CKD BY: SAK

SHT.# \_\_\_\_ OF \_\_\_\_

DWG# 11018-28226

A