

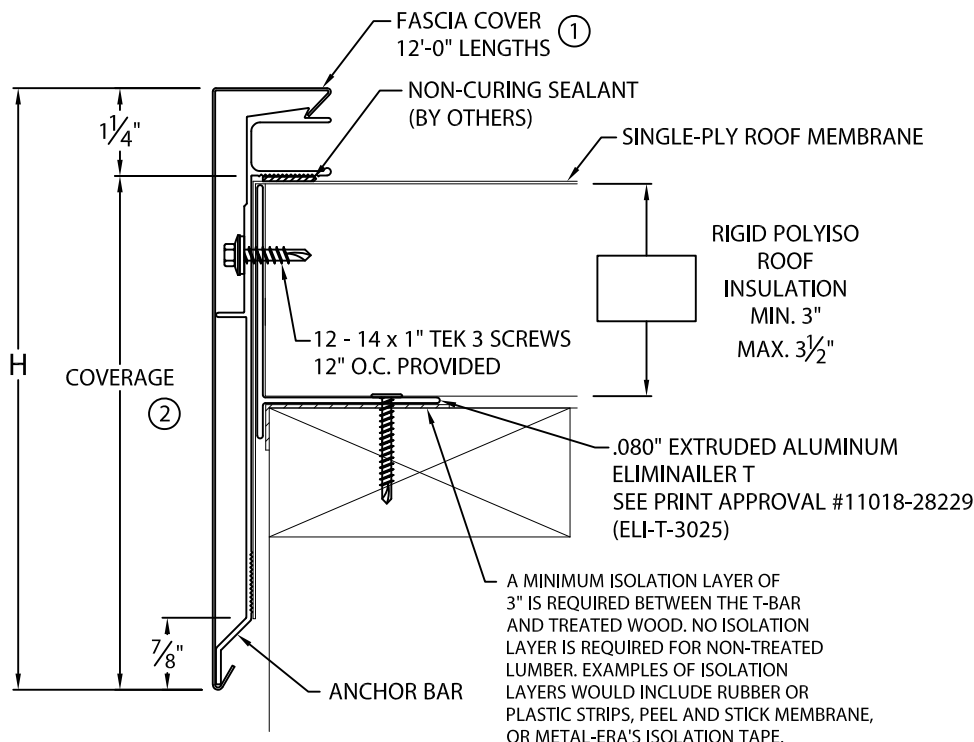


# ANCHOR-TITE HG FOR USE WITH ELIMINAILER®-T

3" ELIMINAILER VERSION

FOR USE WITH WOOD NAILER

U.S. PATENT # 9,878,023 B1



**NOTES:**

- ① FASCIA COVER PROVIDED WITH 3 1/2" WIDE SPLICE PLATES.
- ② TYPICALLY COVERAGE SHOULD EXTEND A MIN. OF 1 1/2" BELOW WOOD BLOCKING IF APPLICABLE.
- ③ NOT AVAILABLE IN 24 GA. GALV. STEEL OR .040" ALUMINUM.

**ANCHOR-TITE HG DIMENSIONS**

PRODUCT ID. NO.	H DIM	COVERAGE
<input type="checkbox"/> T-HG-AF-85	8 1/2"	7 1/4"
<input type="checkbox"/> T-HG-AF-100 ③	10"	8 3/4"

Fabrication will proceed only after receipt of signed print approval.

**Print Approval:**

Architect and/or contractor shall verify all dimensions, sizes and quantities. All products to be installed in strict accordance with Metal-Era's printed instructions.

Approved by: \_\_\_\_\_  
 Date: \_\_\_\_\_

**MATERIAL:**

- \_\_\_\_\_ 24 GA. GALVANIZED STEEL      COLOR: \_\_\_\_\_
- \_\_\_\_\_ 22 GA. GALVANIZED STEEL      FINISH: \_\_\_\_\_
- \_\_\_\_\_ .040" ALUMINUM
- \_\_\_\_\_ .050" ALUMINUM
- \_\_\_\_\_ .063" ALUMINUM
- \_\_\_\_\_ OTHER \_\_\_\_\_

**QUANTITIES:**

- \_\_\_\_\_ LINEAL FEET 12'-0" LENGTHS
  - \_\_\_\_\_ OUTSIDE MITER(S) @ 90°
  - \_\_\_\_\_ INSIDE MITER(S) @ 90°
  - \_\_\_\_\_ OVERFLOW SCUPPER(S)    STYLE \_\_\_A\_\_\_B
  - \_\_\_\_\_ SPILLOUT SCUPPER(S)    STYLE \_\_\_A\_\_\_B
  - \_\_\_\_\_ DOWNSPOUT(S)    STYLE \_\_\_A\_\_\_B ( \_\_\_x\_\_\_ ) DOWNSPOUT SIZE
- A: TAPERED 1 1/2" DROP    B: FLAT

FOR NON-90 MITERS SEE PRINT APPROVAL #11010-1103

PROJECT:

ARCHITECT:

ROOFING CONTRACTOR:

REPRESENTATIVE/DISTRIBUTOR:

Corporate Offices, Manufacturing  
 1600 Airport Road; Waukesha, WI 53188  
 Phone: 800-558-2162  
 Fax: 800-373-9156  
 www.metalera.com



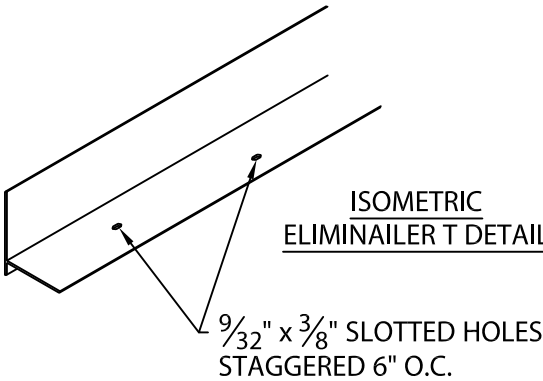
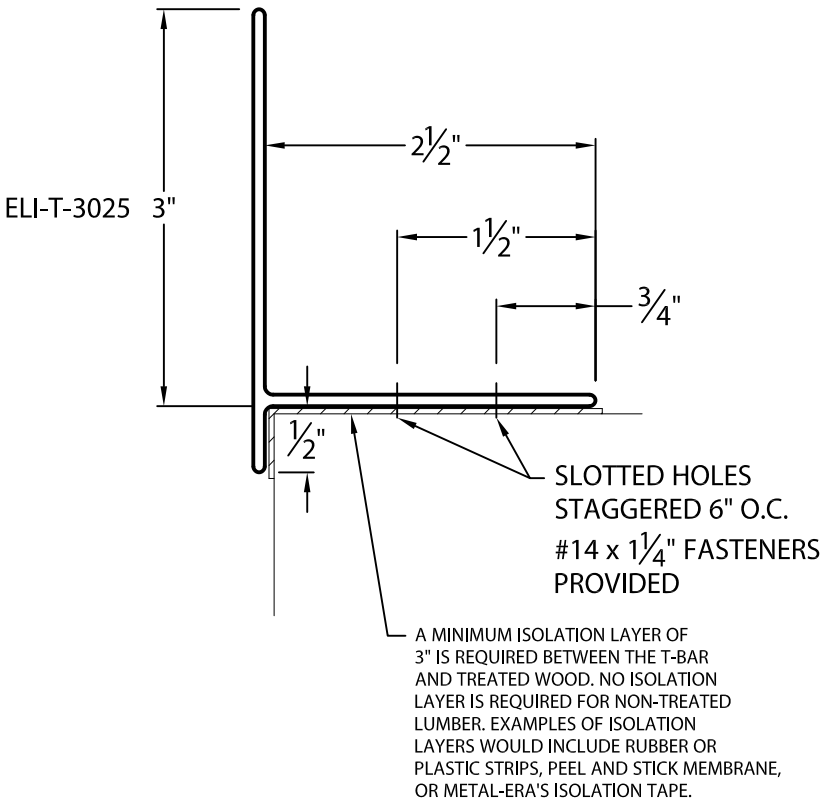
DATE: 03/20/18	SHT.# ___ OF ___
DRN BY: JJC	DWG#11010-26043
CKD BY: SAK	

**A**

# ELIMINAILER®-T

FOR USE WITH EXISTING WOOD NAILER, 3" VERSION

U.S. PATENT # 9,878,023 B1



Fabrication will proceed only after receipt of signed print approval.

## Print Approval:

Architect and/or contractor shall verify all dimensions, sizes and quantities. All products to be installed in strict accordance with Metal-Era's printed instructions.

Approved by: \_\_\_\_\_

Date: \_\_\_\_\_

### MATERIAL:

.080" EXTRUDED ALUMINUM

### QUANTITIES:

\_\_\_\_\_ LINEAL FEET 12'-0" LENGTHS

\_\_\_\_\_ ROLLS ISOLATION TAPE 3" WIDE (180 FT PER ROLL)

PROJECT:

ARCHITECT:

ROOFING CONTRACTOR:

REPRESENTATIVE/DISTRIBUTOR:

Corporate Offices, Manufacturing  
1600 Airport Road; Waukesha, WI 53188  
Phone: 800-558-2162  
Fax: 800-373-9156  
www.metalera.com



DATE: 03/20/18

DRN BY: JJC

CKD BY: SAK

SHT.# \_\_\_\_ OF \_\_\_\_

DWG# 11018-28229

A