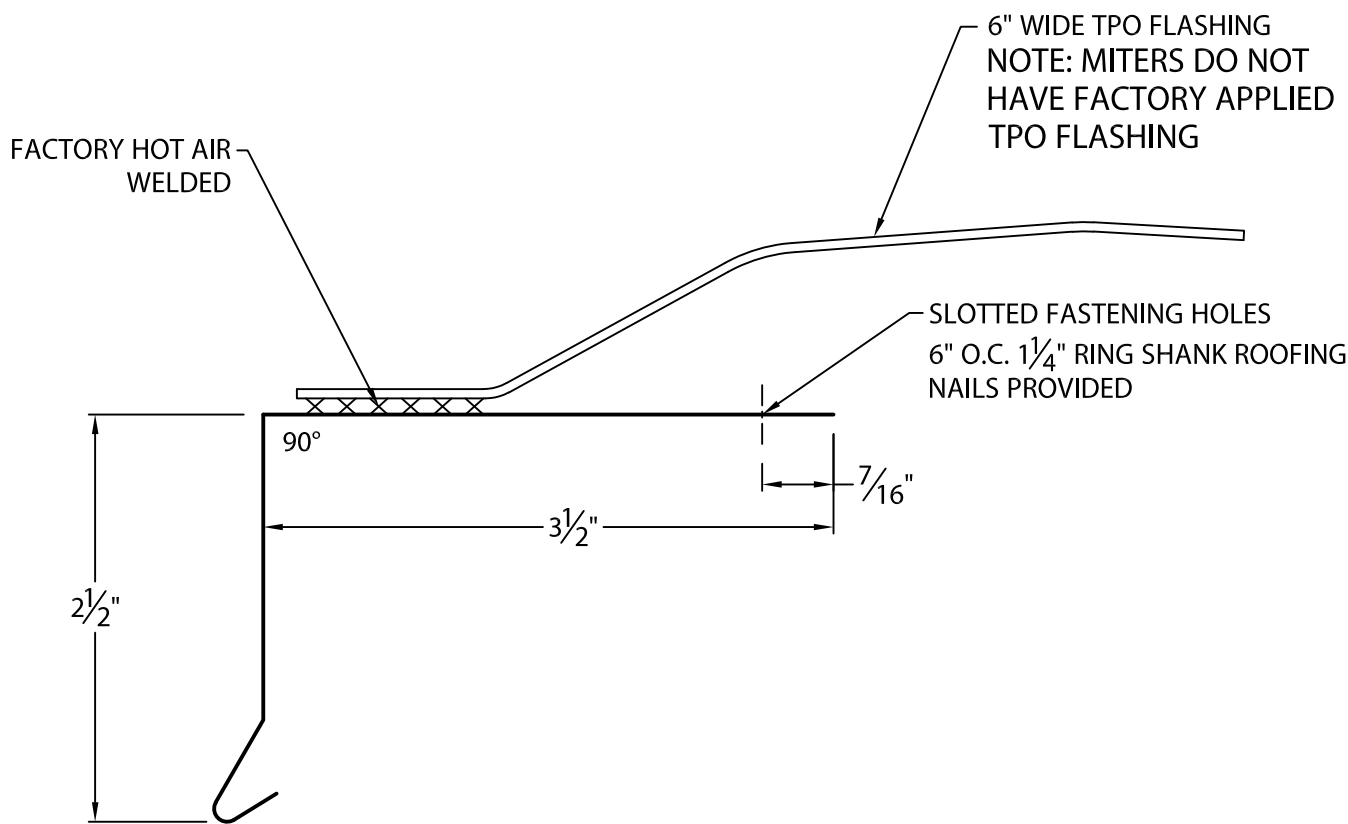


TPO ONE DRIP EDGE

WITH FACTORY APPLIED TPO FLASHING

WITHOUT CONTINUOUS CLEAT



NOTES:

- NO LAP NOTCHES PROVIDED.
- NO SPLICE PLATES PROVIDED.
- ALL FASTENERS PROVIDED.

Fabrication will proceed only after receipt of signed print approval.

Print Approval:

Architect and/or contractor shall verify all dimensions, sizes and quantities. All products to be installed in strict accordance with Metal-Era's printed instructions.

Approved by: _____

Date: _____

MATERIAL:

- ___ 24 Ga. Galv. Steel Carlisle / Versico TPO Coated With Reinforced Flashing
- ___ 24 Ga. Galv. Steel GAF TPO Coated With Non-Reinforced Flashing

COLOR:

White

QUANTITIES:

- _____ Lineal Feet (12'-0" Lengths)
- _____ Outside Miters @ (_____)° (TPO Flashing Not Included)
- _____ Inside Miters @ (_____)° (TPO Flashing Not Included)

PROJECT:	Corporate Offices, Manufacturing 1600 Airport Road; Waukesha, WI 53188 Phone: 800-558-2162 Fax: 800-373-9156 www.metalera.com
ARCHITECT:	
ROOFING CONTRACTOR:	
REPRESENTATIVE/DISTRIBUTOR:	



DATE: 09/25/18	SHT.# ____ OF ____
DRN BY: JJC	DWG# 11010-21363
CKD BY: SAK	